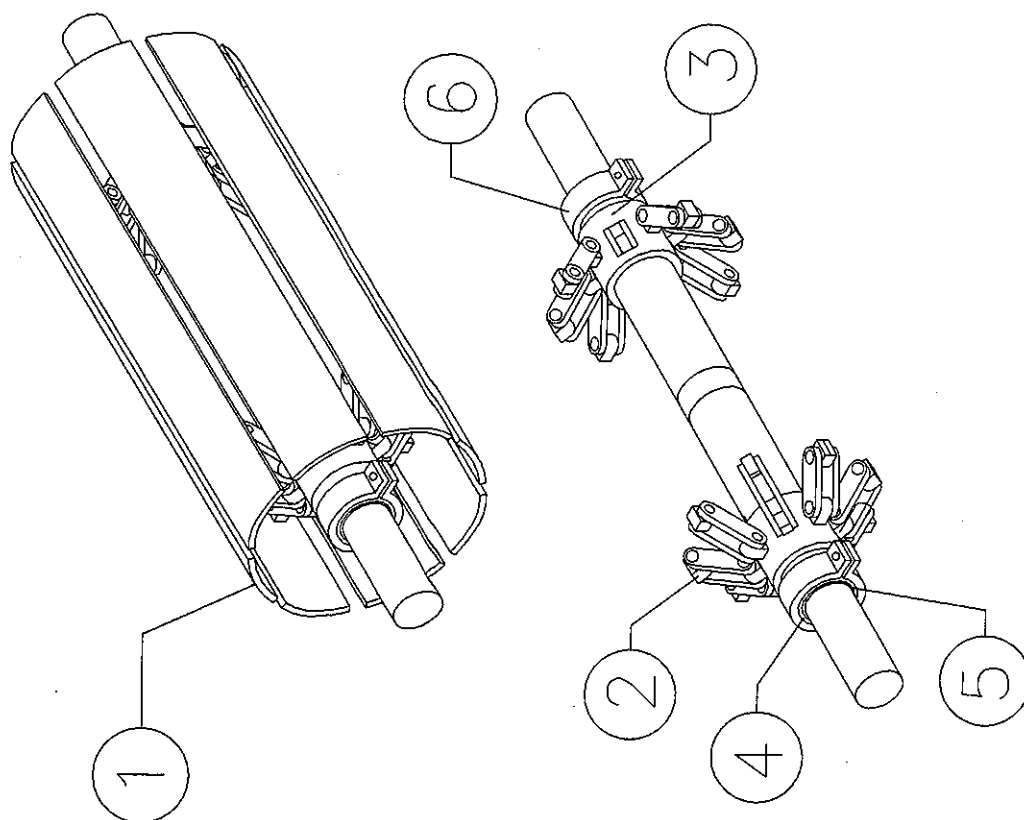


## ภาคผนวก

ภาคผนวก ก  
แสดงรายละเอียดของโมด

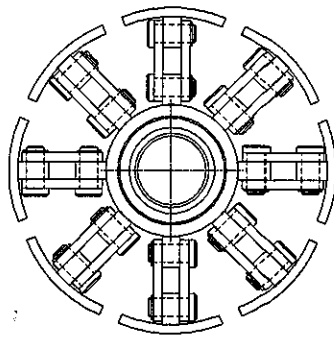


Note: All dimensions are in millimeter.

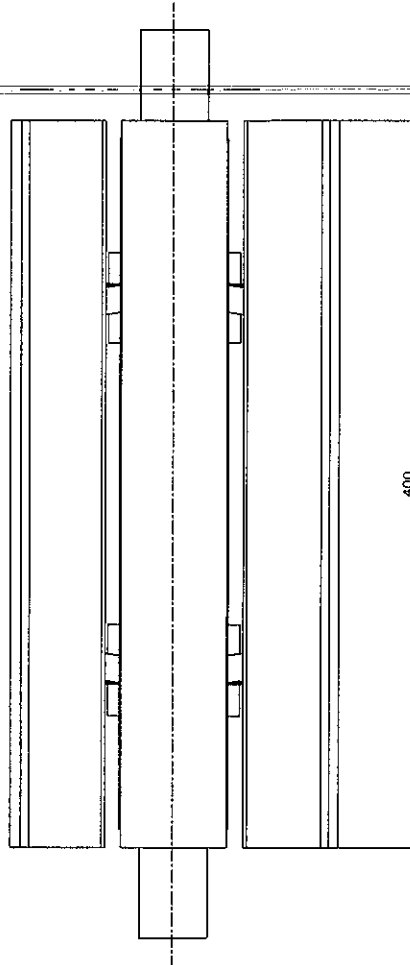
FACULTY OF ENGINEERING  
NARESUAN UNIVERSITY

PART LIST

SCALE NONE	DN BY:MONCHAI	MEC.DRW.PROJ
DATE11/02/2004	CODE:43361567	PAGE 1 OF 7



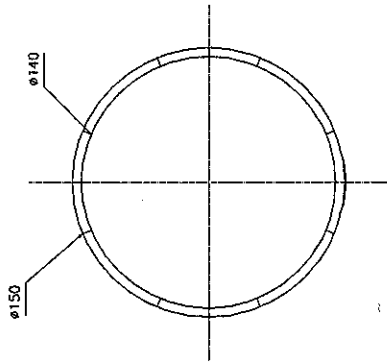
FRONT VIEW



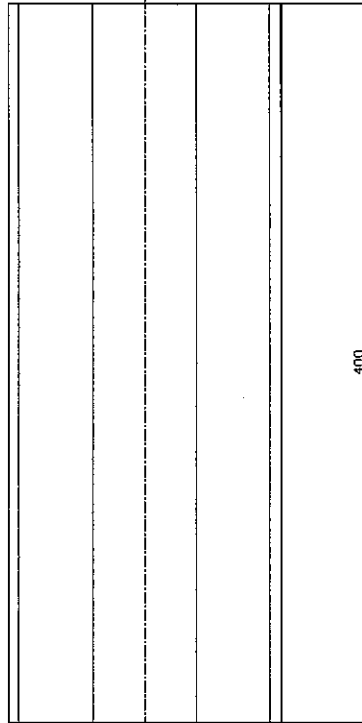
SIDE VIEW

Note: All dimensions are in millimeter.

FACULTY OF ENGINEERING NARESUAN UNIVERSITY		
FRONT VIEW & SIDE VIEW		
SCALE NONE	DN BY:MONCHAI	MEC.DRW.PROJ
DATE 11/02/2004	CODE:43361567	PAGE 2 OF 7



FRONT



SIDE

Note: All dimensions are in millimeter.

FACULTY OF ENGINEERING  
NARESUAN UNIVERSITY

DETAIL 1

SCALE NONE

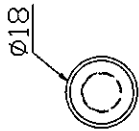
DN BY:MONCHAI

MEC.DRW.PROJ

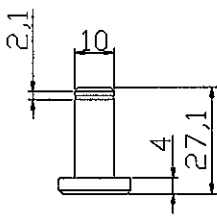
DATE 11/02/2004

CODE:43361567

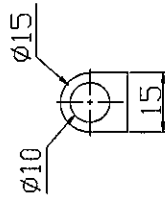
PAGE 3 OF 7



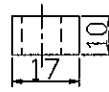
FRONT



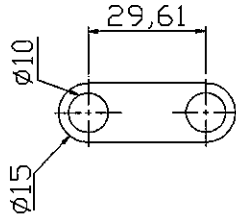
SIDE



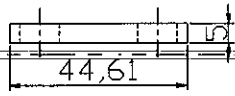
FRONT



SIDE



FRONT



SIDE

Note: All dimensions are in millimeter.

FACULTY OF ENGINEERING  
NARESUAN UNIVERSITY

DETAIL 2

SCALE NONE

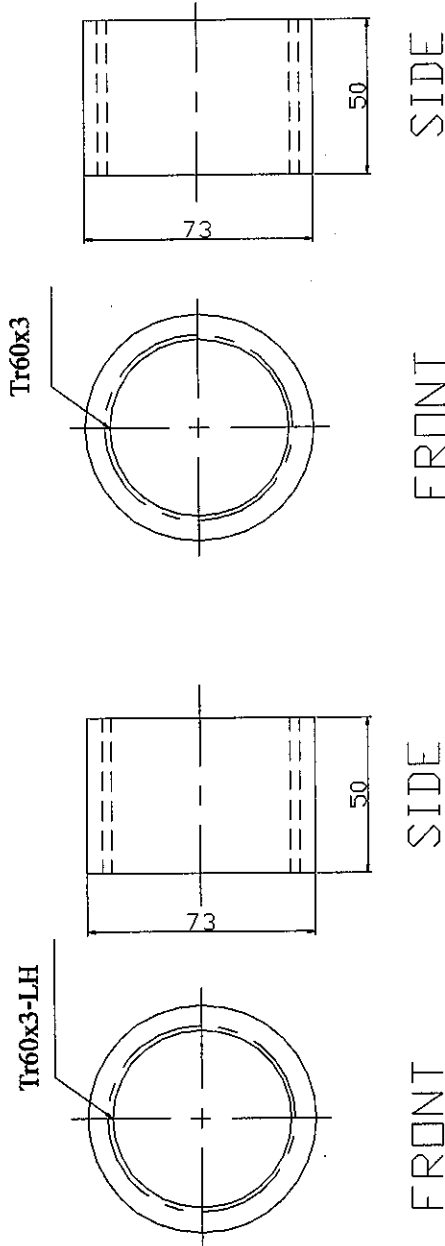
DN BY:MONCHAI

MEC.DRW.PROJ

DATE:11/02/2004

CODE:43361567

PAGE 4 OF 7

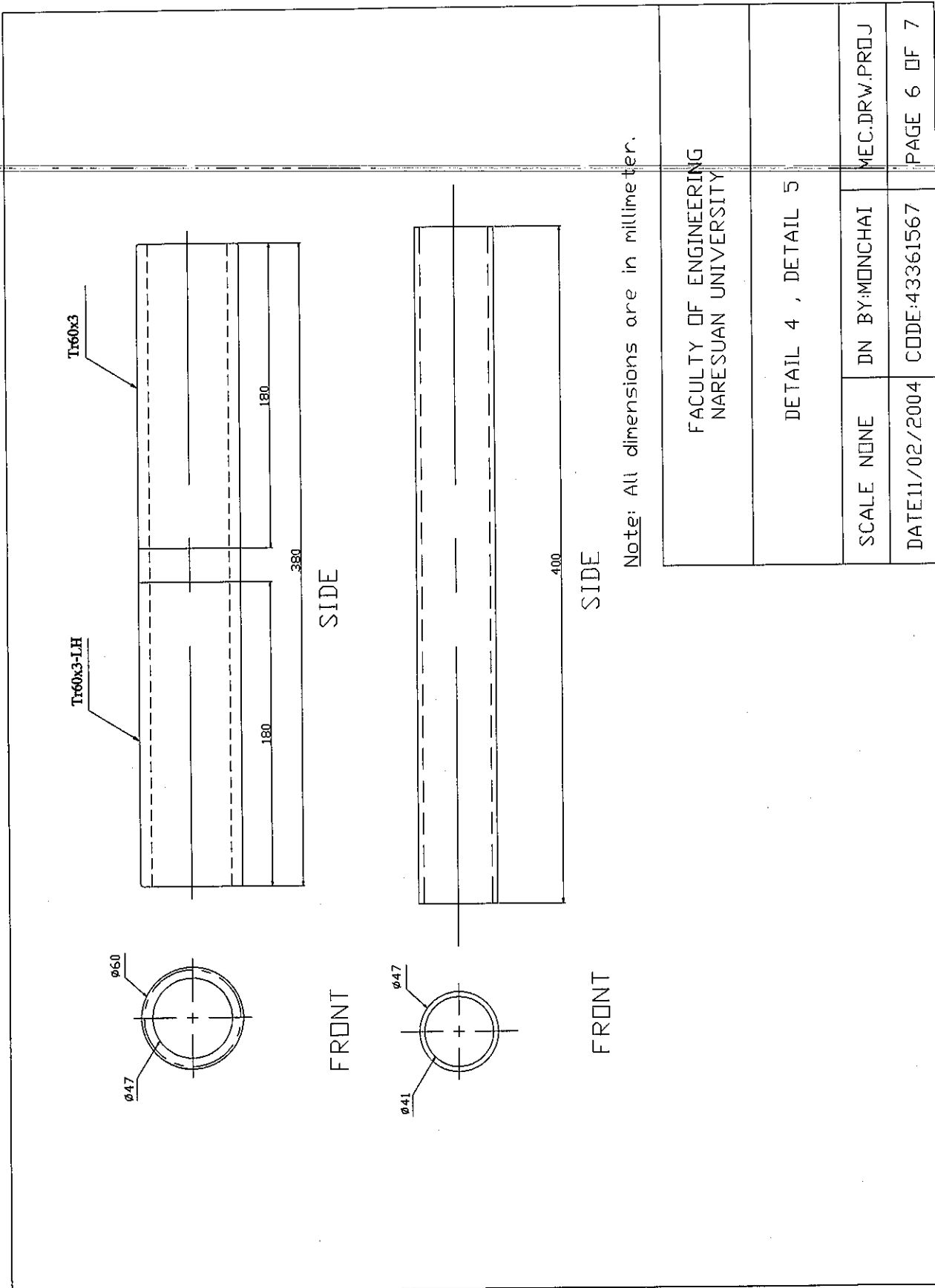


Note: All dimensions are in millimeter.

FACULTY OF ENGINEERING  
NARESUAN UNIVERSITY

DETAIL 3

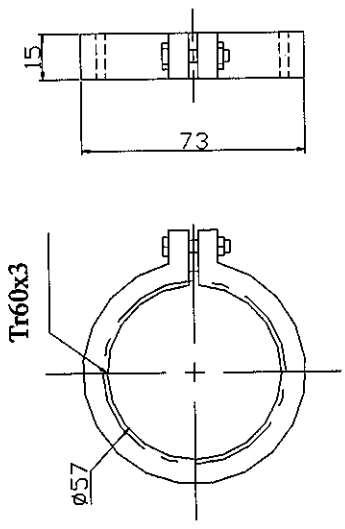
SCALE NONE	DN BY:MONCHAI	MEC.DRW.PROJ
DATE:11/02/2004	CODE:43361567	PAGE 5 OF 7



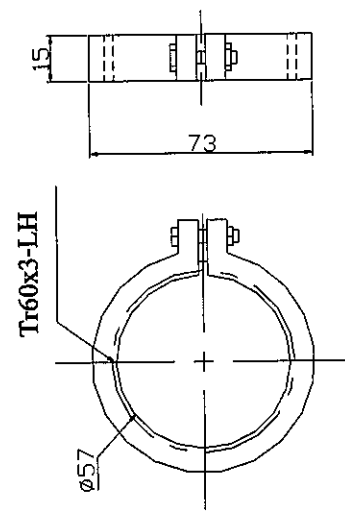
Note: All dimensions are in millimeter.

FACULTY OF ENGINEERING NARESUAN UNIVERSITY	
DETAIL 4 , DETAIL 5	
SCALE NONE	DN BY:MONCHAI
DATE:11/02/2004	CODE:43361567
	MEC.DRW.PROJ
	PAGE 6 OF 7





FRONT SIDE



FRONT SIDE

Note: All dimensions are in millimeter.

FACULTY OF ENGINEERING NARESUAN UNIVERSITY	
DETAIL 6	
SCALE NONE	DN BY:MONCHAI
DATE:11/02/2004	CODE:43361567
PAGE 7 OF 7	