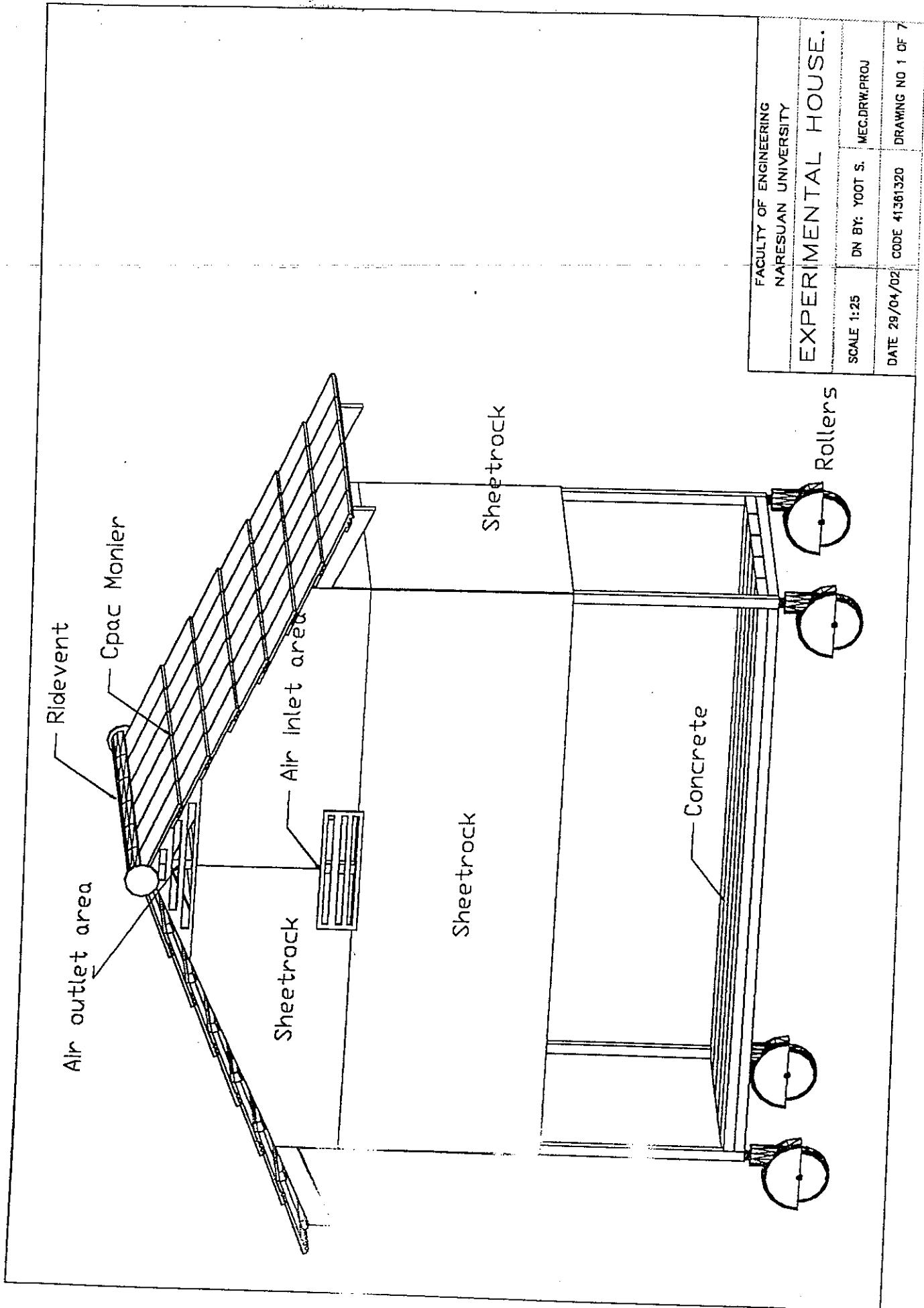
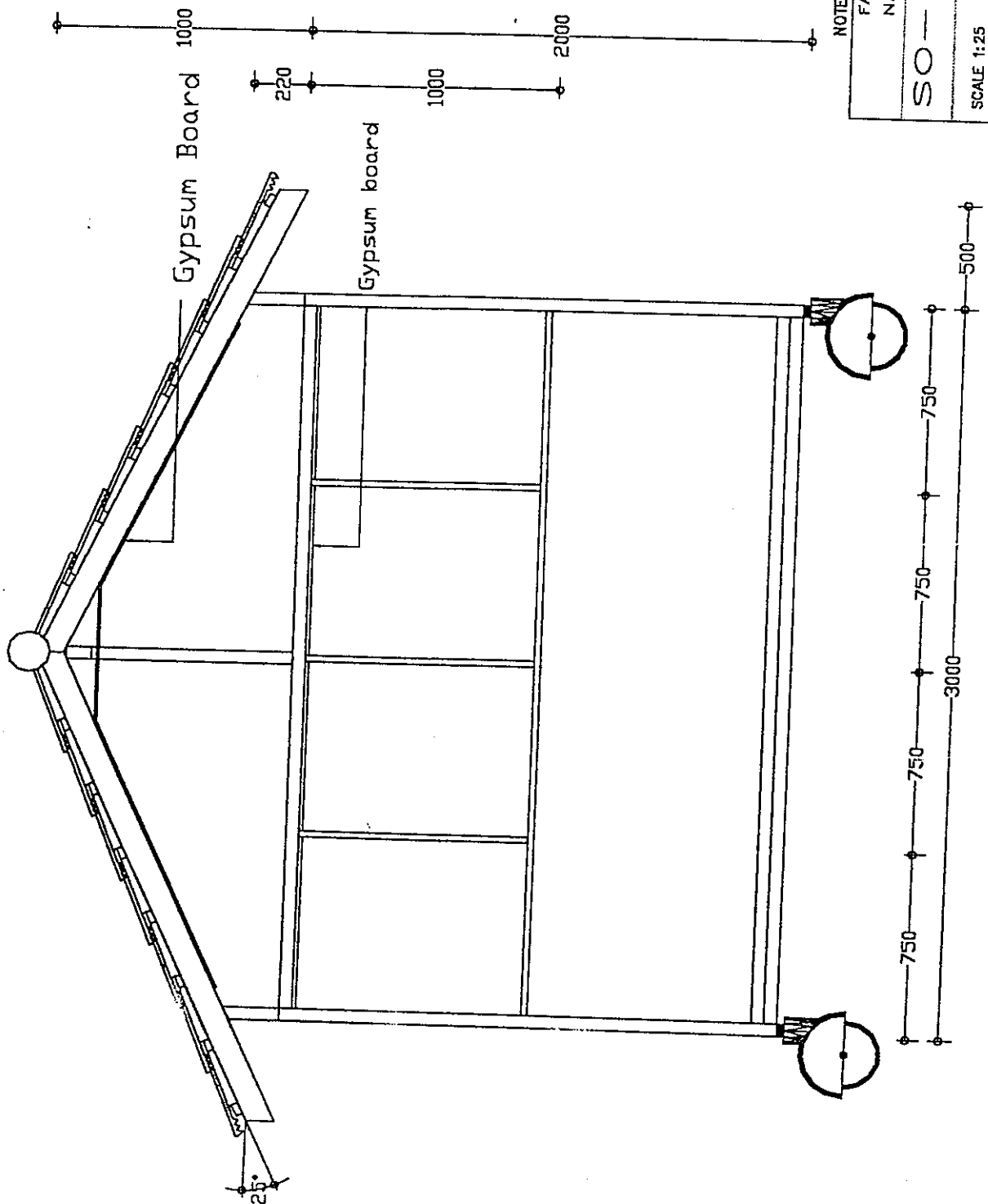


ภาคผนวก ก

DRAWING



FACULTY OF ENGINEERING NARESUAN UNIVERSITY		EXPERIMENTAL HOUSE.	
SCALE 1:25	DN BY: YOOT S.	MEC.DRW.PROJ	
DATE 28/04/02	CODE 41361320	DRAWING NO 1 OF 7	



NOTE: ALL DIMENSIONS ARE IN MM.

FACULTY OF ENGINEERING  
NARESUAN UNIVERSITY

SO-RSC HOUSE.

SCALE 1:25

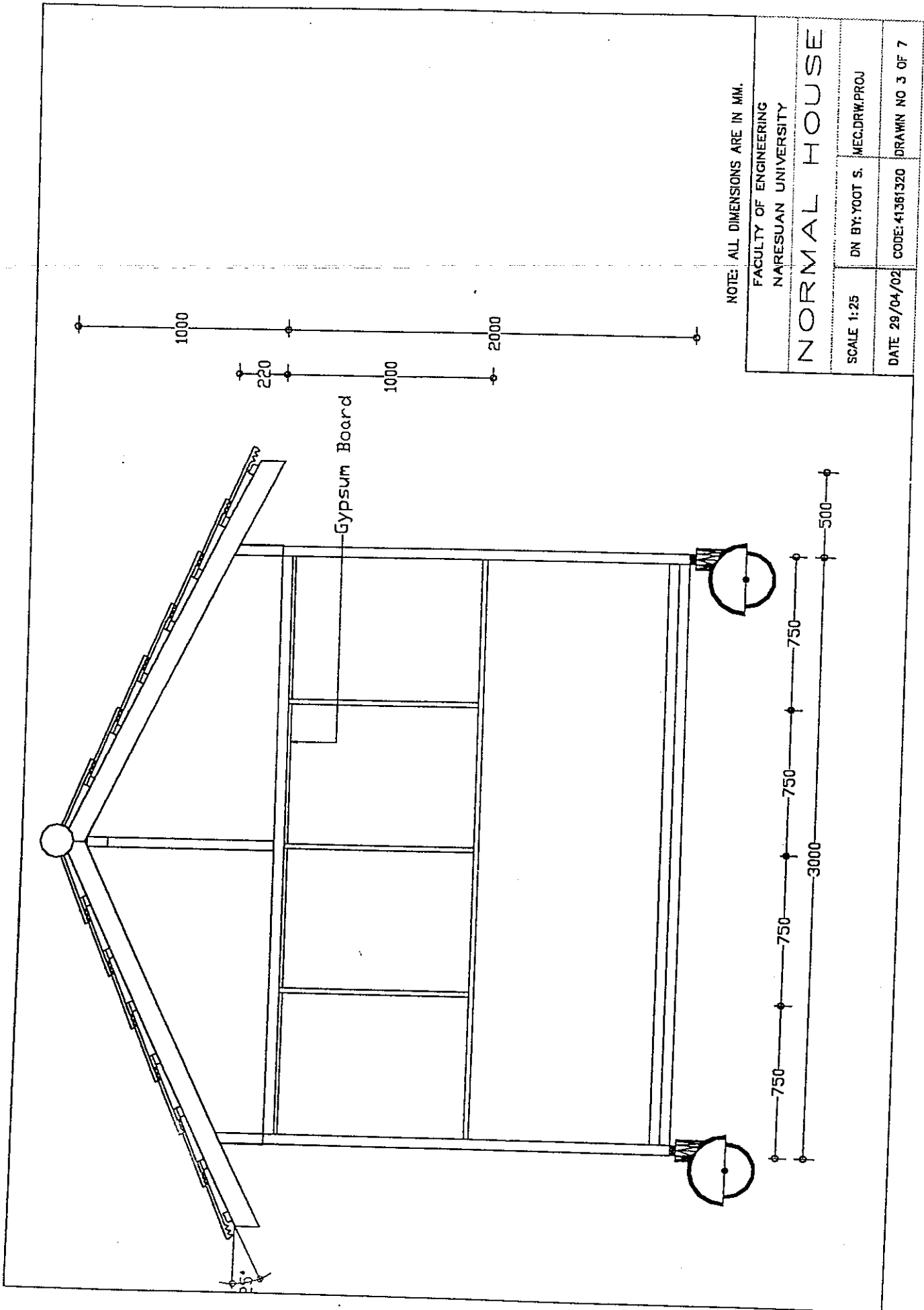
DN BY: YOOT S.

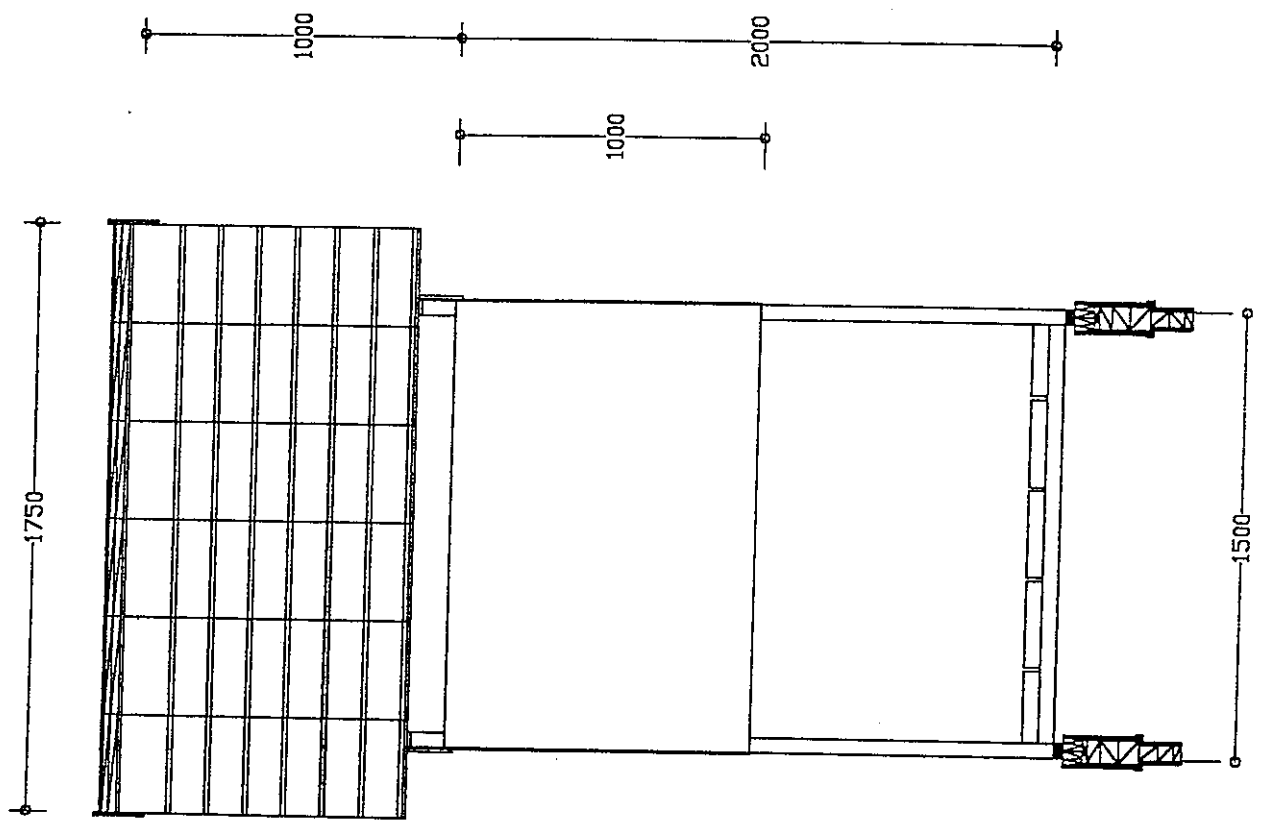
MEC.DRW.PROJ

DATE 28/04/02

CODE: 41361320

DRAWING NO 2 OF 7





NOTE: ALL DIMENSIONS ARE IN MM.

FACULTY OF ENGINEERING  
NARESUAN UNIVERSITY

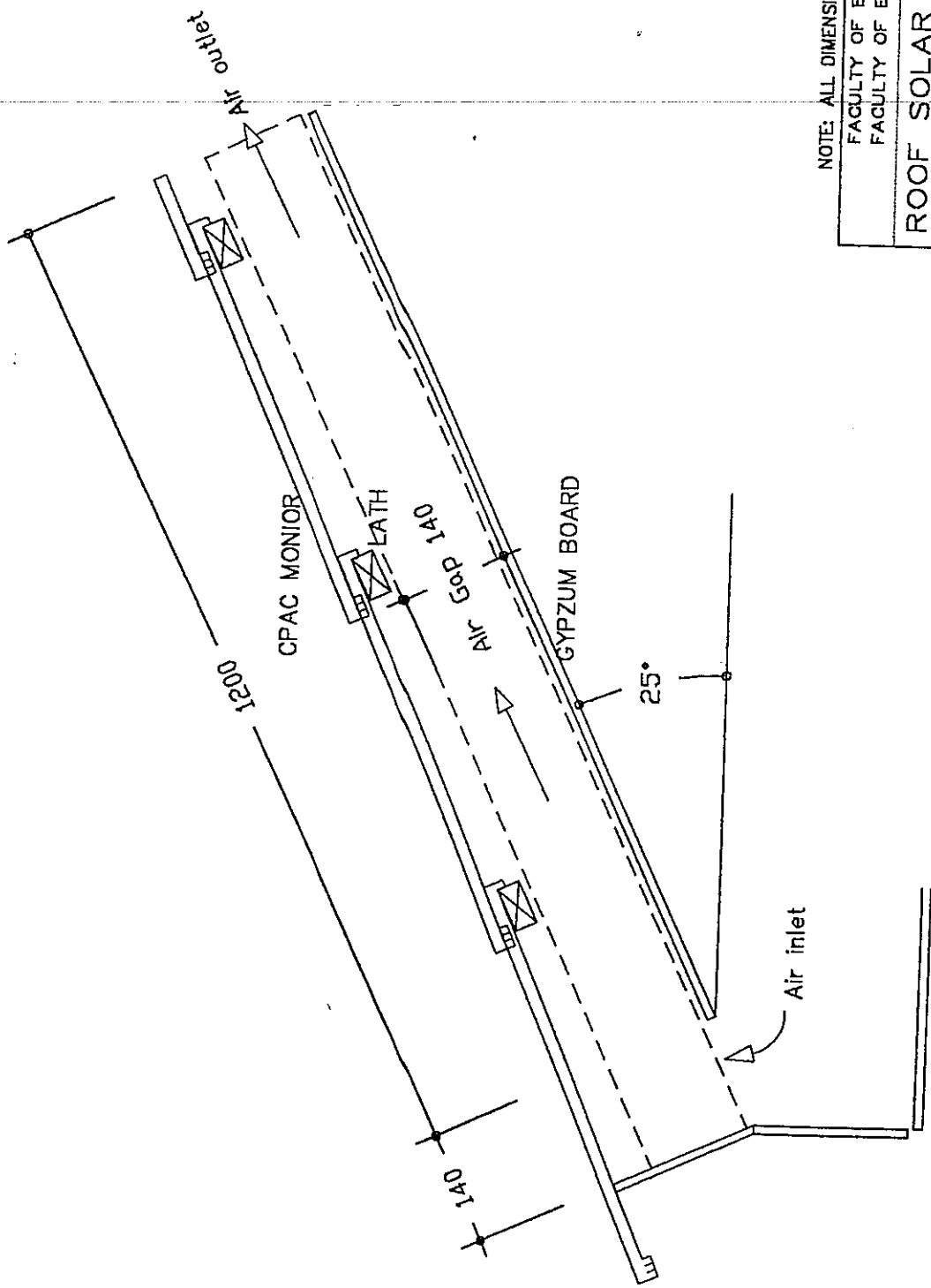
SIDE-VIEW OF THE EXPERIMENTAL HOUSE

SCALE 1:25

DN BY: YOOTS MEC.DRW.PROJ

DATE 28/04/02

CODE: 41361320 DRAWING NO 4 OF 7



NOTE: ALL DIMENSIONS ARE IN MM.

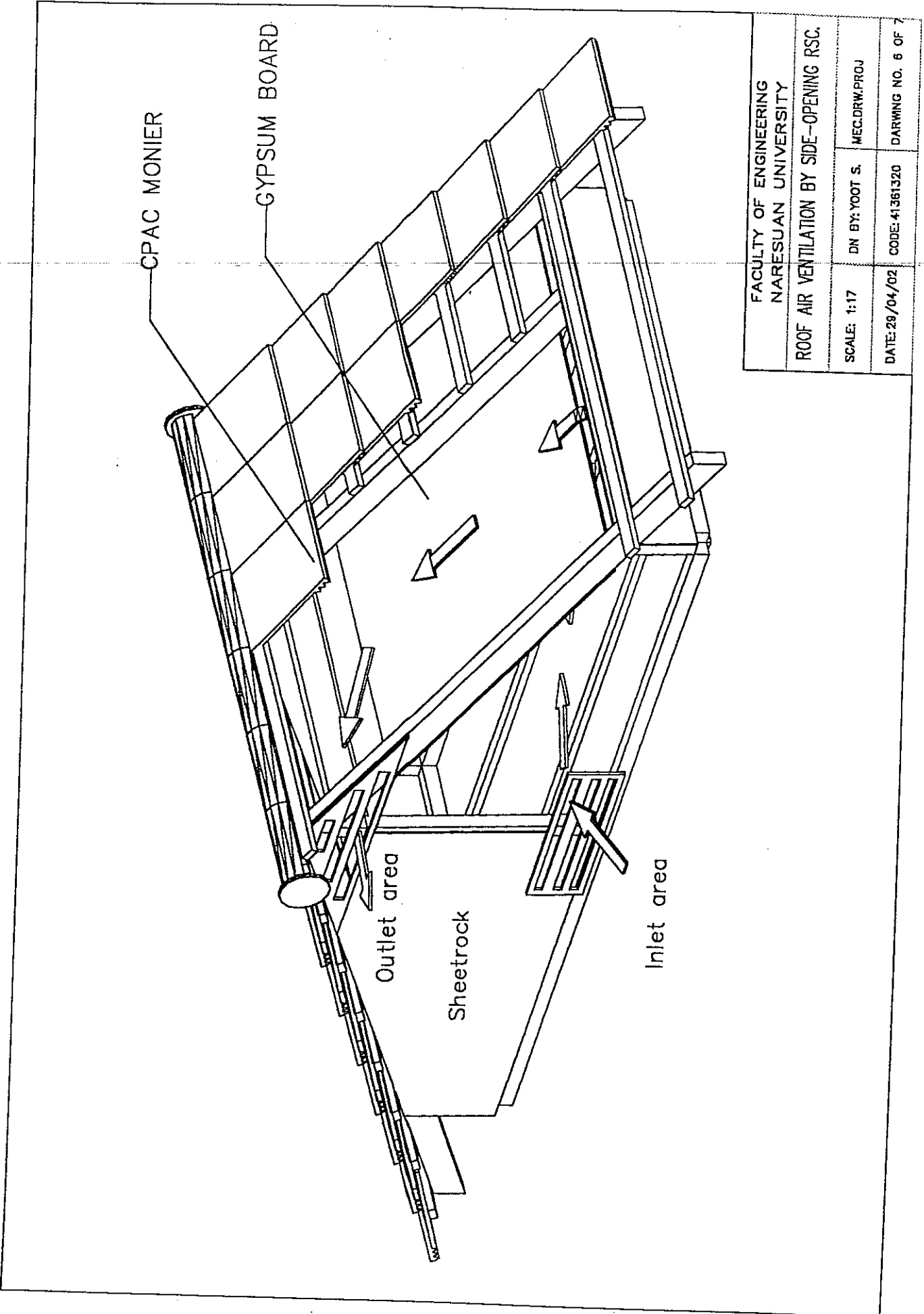
FACULTY OF ENGINEERING  
FACULTY OF ENGINEERING

### ROOF SOLAR COLLECTOR

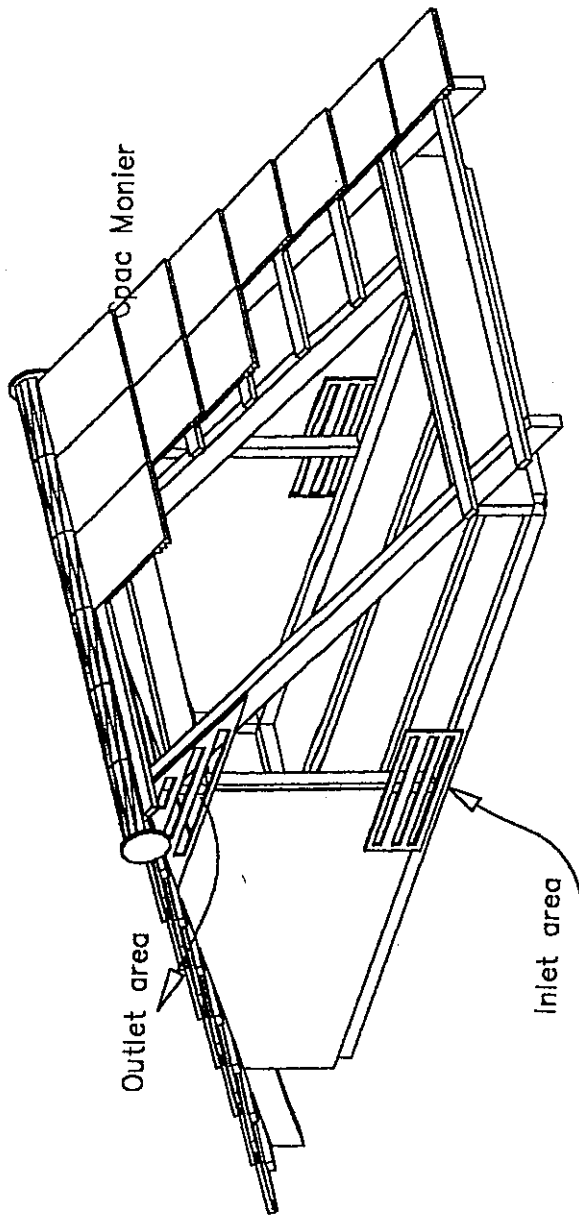
SCALE: 1:25

DN BY: YOOT S. MEC.DRW.PROJ.

DATE: 29/04/02 CODE: 41361320 DRAWING NO 5 OF 7



FACULTY OF ENGINEERING NARESUAN UNIVERSITY			
ROOF AIR VENTILATION BY SIDE-OPENING RSC.			
SCALE: 1:17	DN BY: YOOT S.	MEC.DRW.PROJ	
DATE: 29/04/02	CODE: 41361320	DARWING NO. 6 OF 7	



FACULTY OF ENGINEERING  
NARESUAN UNIVERSITY

# NORMAL ROOF

SCALE: 1:17      DN BY: YOOT S.      MEC.DRW.PROJ

DATE: 29/04/02      CODE: 41361320      DRAWING NO. 7 OF 7



ภาคผนวก ข

ข้อมูลรังสีอาทิตย์, อุณหภูมิแวดล้อม และความเร็วลมในช่อง SO-RSC

ตารางที่ ข. 1 ตารางแสดงวันที่ทำการทดลอง

ครั้งที่	วัน/เดือน/ปี	การทดลอง
1	15/03/2002	หลังคาแบบ SO-RSC Opened / หลังคาแบบปกติ Opened
2	20/03/2002	หลังคาแบบ SO-RSC Opened / หลังคาแบบปกติ Opened
3	25/03/2002	หลังคาแบบ SO-RSC Opened / หลังคาแบบปกติ Opened
4	26/03/200	หลังคาแบบ SO-RSC Opened / หลังคาแบบปกติ Opened
5	27/03/2002	หลังคาแบบ SO-RSC Opened / หลังคาแบบปกติ Opened
6	28/03/2002	หลังคาแบบ SO-RSC Opened / หลังคาแบบปกติ Opened
7	22/04/2002	หลังคาแบบ SO-RSC Opened / หลังคาแบบปกติ Opened
8	24/04/2002	หลังคาแบบ SO-RSC Opened / หลังคาแบบปกติ Closed
9	26/04/2002	หลังคาแบบ SO-RSC Closed / หลังคาแบบปกติ Opened
10	27/04/2002	หลังคาแบบ SO-RSC Opened / หลังคาแบบปกติ Opened
11	28/04/2002	หลังคาแบบ SO-RSC Opened / หลังคาแบบปกติ Opened
12	30/04/2002	หลังคาแบบ SO-RSC Opened / หลังคาแบบปกติ Opened
13	1/05/2002	หลังคาแบบ SO-RSC Opened-Closed 1hr / หลังคาแบบปกติ Opened-Closed 1hr
14	2/05/2002	หลังคาแบบ SO-RSC Opened / หลังคาแบบปกติ Opened
15	3/05/2002	หลังคาแบบ SO-RSC Opened. / หลังคาแบบปกติ Closed
16	4/05/2002	หลังคาแบบ SO-RSC Opened / หลังคาแบบปกติ Closed
17	5/05/2002	หลังคาแบบ SO-RSC Opened / หลังคาแบบปกติ Closed
18	6/05/2002	หลังคาแบบ SO-RSC Opened / หลังคาแบบปกติ Closed
19	7/05/2002	หลังคาแบบ SO-RSC Closed / หลังคาแบบปกติ Closed
20	8/05/2002	หลังคาแบบ SO-RSC Opened / หลังคาแบบปกติ Opened
21	10/05/2002	หลังคาแบบ SO-RSC Opened / หลังคาแบบปกติ Opened

ตารางที่ ๗.2 ข้อมูลความเข้มแสงอาทิตย์, อุณหภูมิแวดล้อม, อุณหภูมิของ CPAC Monier, Air Gap และ Gypsum Board วันที่ 27/04/2545

Time	TLM	TUM	It	TR	TUC	TLG	TLM-RSC	TR-RSC	Tout	TUC-RSC	TA	Tin	TUG-RSC	TUM-RSC	Tamb
8.00	32.2	32.3	313.9	26.6	26.0	26.0	30.4	26.1	26.7	25.9	26.8	26.3	26.3	31.2	28.0
8.05	33.2	33.2	332.1	26.8	26.1	26.1	31.2	26.2	26.5	26.2	26.6	26.3	26.6	32.1	27.4
8.10	33.6	33.8	353.4	27.2	26.4	26.4	32.0	26.6	27.3	26.5	27.4	26.9	27.0	32.8	27.0
8.15	34.1	34.5	375.5	27.3	26.6	26.8	32.9	27.0	27.9	26.9	27.8	27.1	27.4	33.8	27.6
8.20	35.2	35.4	389.4	27.7	27.0	27.1	33.8	27.3	27.9	27.3	28.3	27.6	27.9	34.4	27.2
8.25	35.4	36.0	412.7	27.9	27.3	27.4	34.6	27.6	28.2	27.7	28.3	27.8	28.3	35.4	27.8
8.30	36.0	36.6	444.7	28.4	27.6	27.7	35.3	28.0	29.1	28.0	29.1	28.8	28.6	36.0	27.7
8.35	36.7	37.1	462.1	28.5	27.9	28.0	36.0	28.3	28.9	28.3	29.5	28.8	29.0	36.6	27.4
8.40	37.3	38.1	484.8	28.8	28.2	28.3	36.9	28.3	29.4	28.6	29.2	28.6	29.4	37.7	28.5
8.45	38.7	39.4	508.6	29.4	28.7	28.7	37.9	28.9	30.3	29.0	29.9	29.6	29.8	38.6	27.9
8.50	39.3	40.1	534.3	29.5	28.9	29.0	38.8	29.0	30.5	29.2	30.3	29.6	30.2	39.6	28.9
8.55	40.2	40.8	554.7	29.9	29.3	29.3	39.7	29.2	30.9	29.5	30.9	29.5	30.5	40.3	28.0
9.00	40.6	40.9	516.6	30.4	29.6	29.5	40.2	29.6	31.3	29.6	31.0	30.0	30.8	40.9	28.7
9.05	40.6	41.0	494.9	30.8	29.8	29.7	40.4	29.8	31.1	29.8	31.5	29.9	31.0	40.8	28.5
9.10	40.6	41.4	514.8	30.8	30.1	30.0	40.5	29.9	31.7	30.0	31.4	30.2	31.3	41.0	28.6
9.15	41.3	42.3	576.6	31.2	30.4	30.3	41.2	29.9	31.2	30.2	31.2	30.2	31.7	41.9	29.0
9.20	42.2	43.1	614.2	31.0	30.7	30.7	42.0	30.2	31.8	30.5	31.3	31.3	32.1	42.3	29.0
9.25	43.4	44.4	642.9	31.7	31.1	31.1	42.8	30.6	31.9	30.8	32.2	30.9	32.5	43.4	29.8
9.30	44.6	46.2	676.2	31.9	31.4	31.4	43.8	31.0	32.7	31.1	32.3	31.0	33.0	44.7	30.9
9.35	46.3	47.4	677.3	32.6	32.1	31.8	45.0	31.4	32.5	31.5	32.6	32.5	33.3	45.4	29.9
9.40	46.8	48.3	714.3	32.8	32.4	32.2	45.5	31.6	33.5	31.7	33.1	31.7	33.7	46.5	30.0
9.45	48.6	49.9	744.0	33.4	33.0	32.8	46.7	32.2	34.2	32.1	34.0	32.3	34.4	47.8	31.2
9.50	49.3	51.0	754.6	34.2	33.4	33.4	47.7	32.5	35.1	32.5	34.5	32.6	35.1	48.9	30.9
9.55	50.8	52.1	773.8	34.6	33.9	34.0	48.6	32.9	36.0	32.9	36.5	33.1	35.7	49.6	30.1
10.00	50.9	52.5	787.2	34.7	34.2	34.3	49.1	32.9	34.9	33.2	35.3	33.2	36.0	50.1	31.8
10.05	51.3	52.7	809.8	34.4	34.5	34.7	49.8	32.9	34.3	33.4	35.1	34.6	36.4	50.8	30.4
10.10	52.0	53.7	815.5	35.0	34.7	35.2	50.5	33.3	35.3	33.6	35.5	33.4	36.9	51.8	31.6
10.15	52.8	54.2	836.2	35.5	35.0	35.6	51.3	33.6	37.4	33.9	37.2	33.9	37.5	52.2	30.8
10.20	53.8	55.0	842.1	35.7	35.4	36.1	51.7	34.0	37.9	34.2	37.4	34.1	38.0	52.7	29.6

ตารางที่ ข. 3 ข้อมูลความเข้มแสงอาทิตย์, อุณหภูมิแวดล้อม, อุณหภูมิของ CPAC Monier, Air Gap และ Gypsum Board วันที่ 27/04/2545(ต่อ)

Time	TLM	TUM	It	TR	TUC	TLG	TLM-RSC	TR-RSC	Tout	TUC-RSC	TA	Tin	TUG-RSC	TUM-RSC	Tamb
10.25	53.8	55.5	857.5	35.8	35.7	36.3	52.3	33.8	37.3	34.3	36.3	34.0	38.2	53.7	32.9
10.30	54.8	56.4	877.9	36.7	36.2	36.7	53.1	34.7	39.6	34.6	38.7	34.8	38.8	54.2	31.3
10.35	55.6	57.2	881.1	36.5	36.4	37.1	53.6	34.4	38.4	34.8	37.6	34.5	39.1	55.0	31.5
10.40	56.2	57.5	836.3	37.3	36.7	37.5	54.1	34.6	39.4	35.1	39.1	35.0	39.6	55.1	31.2
10.45	56.4	57.9	911.3	37.7	36.9	37.8	54.4	34.7	39.8	35.2	38.8	35.1	39.9	55.5	32.0
10.50	56.9	58.5	913.9	37.6	37.1	38.1	54.9	34.9	39.9	35.3	38.7	35.3	40.2	56.0	32.3
10.55	56.9	58.5	943.0	38.0	37.2	38.5	55.0	35.3	40.3	35.6	39.4	35.5	40.6	56.2	32.0
11.00	57.0	58.8	958.2	38.1	37.3	38.8	55.3	35.4	40.3	35.7	39.6	35.4	40.9	56.7	32.9
11.05	57.7	59.5	965.0	37.7	37.5	39.0	55.8	35.0	40.5	35.8	38.7	35.2	41.1	57.4	33.5
11.10	58.1	60.1	982.5	37.9	37.9	39.2	56.3	35.1	39.8	36.1	39.6	35.4	41.4	57.8	32.5
11.15	58.3	60.0	993.3	38.8	38.0	39.5	56.6	35.9	41.4	36.2	40.2	36.0	41.7	58.0	31.9
11.20	58.1	59.9	1,003.4	37.3	37.9	39.7	56.7	34.8	39.0	36.1	39.1	35.4	41.8	58.1	34.0
11.25	58.4	59.9	986.8	37.9	38.0	39.8	57.0	35.6	39.9	36.1	39.8	35.8	42.0	58.0	30.9
11.30	58.8	60.6	1,029.0	37.4	38.1	39.9	57.5	35.9	40.8	36.2	40.5	36.1	42.1	58.4	30.3
11.35	59.2	61.0	1,038.1	39.1	38.2	40.0	57.8	36.1	42.0	36.2	42.8	36.6	42.4	58.8	30.6
11.40	59.6	61.3	1,052.3	38.5	38.6	40.3	58.1	36.3	41.9	36.4	42.7	36.4	42.6	59.3	31.7
11.45	59.8	61.9	1,059.7	39.3	38.7	40.5	58.4	36.2	42.0	36.6	41.3	36.5	42.9	60.0	33.2
11.50	59.9	61.6	1,068.1	38.5	38.8	40.5	58.7	35.0	37.7	36.5	39.2	35.6	42.8	59.8	30.5
11.55	59.9	61.9	1,086.4	37.6	38.9	40.5	58.8	35.0	38.2	36.6	39.6	36.0	42.9	60.1	30.8
12.00	60.5	62.6	1,083.9	39.1	39.2	40.8	59.3	36.1	41.9	36.7	43.1	36.7	43.3	60.5	31.6
12.05	61.1	63.3	1,084.4	39.6	39.4	41.1	59.6	36.5	41.9	36.9	42.0	36.8	43.5	61.1	31.0
12.10	61.2	63.2	1,092.3	38.5	39.5	41.2	59.9	35.9	39.6	37.1	40.7	36.8	43.7	61.4	32.4
12.15	61.3	63.4	1,093.8	39.2	39.7	41.6	60.1	36.0	40.3	37.3	41.8	37.1	44.0	61.4	33.0
12.20	61.5	63.7	1,096.0	40.3	40.0	41.9	60.2	36.6	43.9	37.5	42.2	37.4	44.3	61.7	32.1
12.25	61.7	63.9	1,100.0	40.6	40.0	42.1	60.2	36.3	41.6	37.6	41.7	37.2	44.5	61.8	33.7
12.30	61.6	63.7	1,103.7	40.0	40.2	42.1	60.4	36.6	40.8	37.7	42.1	37.4	44.6	61.9	33.2
12.35	62.0	64.0	1,105.2	40.8	40.4	42.3	60.7	37.4	44.2	37.7	44.2	37.9	44.8	61.8	31.9
12.40	62.2	64.1	1,109.1	41.5	40.6	42.5	60.9	37.7	45.3	38.0	46.2	38.1	45.1	62.2	31.4
12.45	61.3	63.5	1,112.0	40.5	40.6	42.5	60.5	36.9	42.7	37.9	43.4	38.0	44.9	61.8	32.1
12.50	61.9	64.1	1,103.0	41.0	40.8	42.7	60.9	37.4	42.8	38.1	43.3	37.8	45.1	62.3	33.1

ตารางที่ ข. 4 ข้อมูลความเข้มแสงอาทิตย์, อุณหภูมิแวดล้อม, อุณหภูมิของ CPAC Monier, Air Gap และ Gypsum Board วันที่ 27/04/2545(ต่อ)

Time	TLM	TUM	It	TR	TUC	TLG	TLM-RSC	TR-RSC	Tout	TUC-RSC	TA	Tin	TUG-RSC	TUM-RSC	Tamb
12.55	61.6	64.2	1,106.2	41.8	41.1	43.1	60.9	37.6	44.1	38.4	44.1	38.4	45.5	62.4	33.7
13.00	61.5	63.8	1,103.5	41.5	40.9	43.2	60.9	38.5	45.5	38.4	46.6	38.7	45.8	62.3	31.4
13.05	61.4	63.0	1,106.9	38.3	40.9	43.3	60.8	37.6	42.8	38.5	43.6	38.2	45.8	61.8	33.2
13.10	61.6	64.3	1,104.2	41.4	41.1	43.4	61.0	37.9	44.0	38.7	43.4	38.1	45.7	62.7	33.1
13.15	61.6	63.6	1,084.1	40.8	41.3	43.6	61.1	38.2	43.9	39.0	44.4	38.8	46.1	62.3	32.3
13.20	61.8	64.1	1,099.5	41.3	41.5	43.8	61.0	38.5	45.2	39.1	45.1	38.8	46.2	62.2	33.5
13.25	61.4	63.8	1,104.7	41.1	41.4	43.7	60.9	38.0	42.8	39.1	44.5	39.0	46.1	62.1	33.2
13.30	61.6	64.0	1,090.3	40.9	41.5	43.9	61.1	37.0	42.1	39.1	43.4	38.7	46.2	62.6	32.8
13.35	61.5	63.7	1,093.4	41.5	41.8	43.9	61.0	38.7	43.6	39.4	44.1	39.0	46.4	62.4	34.3
13.40	61.3	63.6	1,078.7	42.2	41.6	44.1	60.7	38.7	45.5	39.4	44.6	39.2	46.5	62.2	32.5
13.45	60.8	63.4	1,064.9	42.1	41.7	44.2	60.5	39.2	45.3	39.6	45.4	39.3	46.6	61.7	33.8
13.50	61.0	63.0	1,065.8	42.5	41.6	44.3	60.3	39.1	44.9	39.6	45.4	39.4	46.6	61.7	31.7
13.55	60.5	62.8	1,052.2	41.8	41.8	44.3	60.1	39.3	45.5	39.7	45.4	39.7	46.6	61.3	33.9
14.00	60.3	62.7	1,043.0	42.7	42.1	44.3	60.1	38.5	44.5	40.0	41.5	37.8	46.5	61.4	32.9
14.05	60.2	62.5	1,027.7	43.3	42.0	44.2	59.8	38.5	46.9	39.9	43.8	39.0	46.5	61.1	34.2
14.10	59.3	61.6	1,025.8	43.2	41.9	44.2	59.4	39.7	46.8	40.0	46.9	39.9	46.5	60.8	32.2
14.15	58.8	60.8	1,015.8	41.8	41.8	44.4	59.1	40.1	46.1	40.0	47.9	40.7	46.8	59.8	32.2
14.20	58.4	60.6	1,006.3	42.1	41.6	44.3	58.7	39.2	45.4	40.0	45.4	39.8	46.5	60.1	33.1
14.25	58.4	60.8	992.9	41.8	41.7	44.0	58.5	39.7	46.1	40.0	44.9	39.6	46.2	60.0	34.1
14.30	58.1	60.2	983.5	42.7	41.7	44.1	58.4	40.1	46.1	40.2	46.8	40.3	46.4	59.4	32.7
14.35	57.8	60.0	975.4	42.7	41.9	44.2	58.0	40.0	46.6	40.4	46.8	40.4	46.5	59.0	33.7
14.40	57.5	59.6	964.6	40.2	41.8	44.2	57.8	39.6	43.7	40.3	44.0	40.1	46.3	58.6	33.8
14.45	57.4	59.5	947.5	42.9	41.9	44.2	57.5	40.1	46.3	40.4	45.2	40.3	46.3	58.8	33.5
14.50	57.0	59.6	925.6	42.9	42.3	44.1	57.5	40.2	44.8	40.7	44.9	40.4	46.2	58.7	32.9
14.55	56.7	59.4	911.9	42.4	42.4	44.3	57.3	39.8	44.2	40.9	44.3	40.2	46.3	58.6	33.6
15.00	56.5	59.1	901.3	41.9	42.5	44.3	56.9	39.7	43.7	41.0	45.0	40.6	46.3	58.0	35.0
15.05	56.0	58.2	887.2	42.6	42.4	44.2	56.5	40.3	45.3	41.0	44.7	40.4	46.1	57.5	34.8
15.10	56.0	57.9	869.5	41.9	42.6	44.3	56.3	40.4	43.9	41.3	45.0	40.8	46.3	57.3	35.1
15.15	55.0	57.4	855.0	42.5	42.7	44.2	55.7	39.8	43.4	41.2	43.9	40.2	45.9	56.9	34.4
15.20	54.2	56.0	842.4	43.0	42.8	43.9	55.0	39.7	42.7	41.4	43.9	40.2	45.8	55.4	34.3

ตารางที่ ข. 5 ข้อมูลความเข้มแสงอาทิตย์, อุณหภูมิแวดล้อม, อุณหภูมิของ CPAC Monier, Air Gap และ Gypsum Board วันที่ 27/04/2545(ต่อ)

Time	TLM	TUM	It	TR	TUC	TLG	TLM-RSC	TR-RSC	Tout	TUC-RSC	TA	Tin	TUG-RSC	TUM-RSC	Tamb
15.25	53.6	55.8	821.1	43.0	42.8	43.8	54.6	40.2	43.9	41.4	44.4	40.7	45.7	55.5	34.8
15.30	53.6	55.9	804.8	42.9	42.7	43.9	54.5	39.8	43.6	41.5	44.2	40.2	45.7	55.4	33.8
15.35	53.3	55.8	783.5	43.0	42.6	44.0	54.2	40.4	45.5	41.5	44.5	40.5	45.7	54.8	34.4
15.40	52.7	55.4	768.3	43.1	42.9	44.0	54.0	40.8	45.3	41.7	44.2	40.7	45.7	54.9	35.0
15.45	52.6	55.3	751.3	43.3	43.2	44.1	53.8	41.2	45.7	42.1	44.5	41.3	45.8	54.6	34.7
15.50	52.2	54.6	734.8	43.5	42.8	44.3	53.3	41.3	46.2	42.1	46.7	41.3	46.1	54.0	34.6
16.00	51.9	54.1	718.3	43.2	42.8	44.2	52.9	41.4	46.0	42.0	44.9	41.2	45.8	53.6	35.8
16.05	51.5	53.7	701.9	42.2	42.9	44.2	52.3	40.8	44.3	42.1	44.7	41.2	45.7	53.0	35.4
16.10	50.6	52.7	684.8	43.6	42.7	44.1	51.8	41.3	45.6	42.2	45.5	41.5	45.7	52.3	34.3
16.15	50.1	51.9	665.4	42.7	42.6	44.1	51.2	41.5	45.3	42.1	45.2	41.4	45.6	51.8	35.7
16.20	49.4	51.2	651.5	42.7	42.3	44.0	50.4	41.6	45.7	42.0	45.1	41.3	45.5	51.0	35.0
16.25	48.6	50.6	628.5	42.3	42.1	43.8	49.9	40.9	44.6	41.9	44.4	41.2	45.1	50.5	33.8
16.30	48.0	49.7	603.7	42.1	41.9	43.7	49.4	41.2	45.3	41.7	45.3	41.4	45.1	49.7	33.6
16.35	47.0	49.1	579.2	40.8	41.4	43.5	48.6	39.7	42.0	41.5	43.6	40.4	44.8	49.0	34.0
16.40	46.4	48.3	558.1	41.4	41.2	43.3	48.1	40.8	43.7	41.5	44.2	40.9	44.5	48.3	34.0
16.45	45.5	46.6	312.8	41.2	41.1	43.0	47.1	40.7	44.2	41.4	43.5	40.7	44.2	46.8	34.1
16.50	43.6	45.0	516.9	40.8	40.6	42.7	45.7	40.2	44.0	41.2	43.4	40.3	43.8	45.7	33.6
16.55	43.6	45.1	501.5	40.6	40.5	42.4	45.5	40.5	44.0	41.1	43.1	40.5	43.5	45.6	34.6
17.00	43.1	44.7	471.5	40.7	40.3	42.1	45.0	40.5	43.5	41.0	42.8	40.6	43.2	45.1	33.9

ตารางที่ ข.6 ข้อมูลความเข้มแสงอาทิตย์,อุณหภูมิแวดล้อม,อุณหภูมิของ CPAC Monier,Air GapและGypsum Board วันที่ 6/04/2545

Time	TLM	TUM	It	TR	TUC	TUG	TLM-RSC	TR-RSC	Tout	TUC-RSC	TA	Tin	TUG-RSC	TUM-RSC	Tamb
8.00	39.7	39.9	550.1	31.0	29.9	29.7	35.8	29.3	29.7	29.2	29.6	28.8	29.9	37.2	30.0
8.05	40.0	40.5	556.1	31.6	30.2	30.0	36.7	29.5	30.0	29.6	30.2	29.4	30.3	38.0	28.9
8.10	40.4	40.7	584.5	31.7	30.5	30.4	37.5	29.9	30.6	30.0	30.7	29.7	30.8	38.9	29.1
8.15	41.5	41.6	616.3	32.2	30.9	30.8	38.5	30.2	30.7	30.6	31.0	30.1	31.4	39.9	29.5
8.20	42.3	42.5	636.6	32.8	31.3	31.3	39.6	30.6	31.1	31.1	31.6	30.7	32.0	41.0	30.5
8.25	43.3	43.6	654.9	33.2	31.9	31.8	40.7	31.2	32.2	31.6	32.4	31.2	32.6	41.9	30.6
8.30	44.1	44.3	666.2	33.6	32.3	32.2	41.4	31.1	32.2	31.9	32.5	31.5	33.1	42.8	31.5
8.35	44.8	45.1	689.2	34.2	32.7	32.5	42.3	31.6	33.0	32.3	33.1	31.6	33.7	43.6	29.7
8.40	45.5	46.0	703.4	34.7	33.1	32.8	43.2	31.7	32.4	32.5	33.1	32.0	34.0	44.6	30.6
8.45	46.5	46.8	716.2	35.1	33.6	33.1	44.0	31.6	32.1	32.8	33.5	32.1	34.3	45.3	30.3
8.50	47.1	47.7	701.2	35.5	34.1	33.6	44.9	32.2	33.6	33.3	33.8	32.7	34.9	46.1	32.0
8.55	48.2	48.6	742.7	36.1	34.7	34.0	45.7	33.0	34.4	33.5	34.5	33.0	35.4	46.9	31.4
9.00	48.8	49.2	767.2	36.5	35.1	34.2	46.3	32.1	32.9	33.6	34.6	32.8	35.6	47.6	30.1
9.05	49.7	49.9	773.3	36.9	35.4	34.6	47.1	32.8	34.9	33.9	34.5	33.2	36.1	48.3	30.8
9.10	50.4	50.8	790.3	37.5	35.9	34.7	47.8	32.8	34.0	33.9	35.1	33.5	36.3	49.0	31.2
9.15	51.3	51.5	808.2	37.8	36.3	34.9	48.3	33.3	35.1	34.2	35.1	33.8	36.5	49.5	31.2
9.20	51.7	52.3	809.3	38.2	36.7	35.4	49.1	33.7	35.4	34.6	35.7	34.0	37.1	50.4	32.0
9.25	52.1	52.4	830.5	38.7	36.9	35.8	49.6	32.5	34.1	34.6	36.3	34.1	37.5	50.8	31.0
9.30	52.1	52.8	765.2	38.8	37.0	36.0	49.8	32.7	35.1	34.5	35.5	33.9	37.7	50.7	31.1
9.35	52.1	53.0	838.9	38.8	37.3	36.1	50.1	32.3	35.5	34.7	35.5	34.0	38.0	50.8	30.7
9.40	53.2	53.6	870.6	39.5	37.5	36.4	50.6	33.8	36.5	34.8	37.0	34.1	38.3	51.8	31.2
9.45	54.3	54.4	884.8	39.7	38.0	36.7	51.5	33.8	37.1	35.1	36.6	34.4	38.6	52.8	32.6
9.50	54.6	55.0	879.3	39.9	38.3	36.8	52.0	33.1	36.0	35.0	36.2	34.4	38.7	52.8	30.8
9.55	55.4	55.6	911.0	40.3	38.5	37.2	52.4	34.6	37.5	35.3	37.4	34.9	39.1	53.7	33.7
10.00	55.7	55.9	925.8	40.7	38.7	37.4	52.8	34.6	37.9	35.5	38.0	34.8	39.5	54.2	32.2
10.05	56.5	56.7	941.1	40.6	38.8	37.6	53.3	34.2	36.8	35.5	37.2	34.9	39.6	54.7	32.4
10.10	56.8	57.0	948.7	41.4	39.2	37.9	53.8	34.9	38.4	35.8	38.4	35.4	40.0	54.9	32.4
10.15	56.1	56.6	917.3	41.6	39.2	38.0	54.0	34.3	37.0	35.6	38.6	35.3	40.3	55.0	31.7
10.20	56.6	56.9	885.6	41.3	39.3	38.1	54.0	34.3	37.7	35.5	38.0	35.2	40.3	55.1	33.0

ตารางที่ ข.7 ข้อมูลความเข้มแสงอาทิตย์, อุณหภูมิแวดล้อม, อุณหภูมิของ CPAC Monier, Air Gaps และ Gypsum Board วันที่ 6/04/2545(ต่อ)

Time	TLM	TUM	II	TR	TUC	TLG	ILM-RSC	TR-RSC	Tout	TUC-RSC	TA	Tin	TUG-RSC	TUM-RSC	Tamb
10.25	56.88	57.24	946.01	41.63	39.59	38.16	54.23	33.59	36.15	35.59	37.60	35.20	40.49	55.12	32.35
10.30	57.24	57.60	973.26	42.04	39.77	38.23	54.55	33.72	37.00	35.65	38.00	35.41	40.53	55.87	34.20
10.35	58.12	58.11	985.41	41.86	39.88	38.08	54.92	33.51	34.06	35.56	37.82	35.45	40.63	56.28	33.10
10.40	58.87	58.75	974.66	42.10	40.29	38.32	55.38	33.57	35.64	35.59	37.71	35.15	40.58	56.79	33.70
10.45	59.65	59.66	981.34	42.57	40.83	38.68	56.17	35.16	38.88	36.09	39.00	35.98	41.01	57.64	34.04
10.50	59.90	60.35	987.23	43.08	41.26	38.70	56.65	34.33	37.77	36.21	38.42	35.63	41.19	57.75	33.13
10.55	60.89	60.47	996.12	43.45	41.33	39.11	56.86	35.11	38.30	36.38	39.89	35.83	41.57	58.43	32.28
11.00	60.83	60.97	999.08	43.74	41.47	39.42	57.27	35.28	40.03	36.53	40.31	36.63	41.90	58.63	32.00
11.05	60.97	61.23	1,001.93	43.83	41.64	39.49	57.50	34.89	37.67	36.37	39.49	36.38	42.10	58.63	32.95
11.10	60.42	61.05	1,005.12	44.04	41.61	39.49	57.33	34.42	37.25	36.26	38.99	36.17	42.05	58.47	33.29
11.15	60.71	60.68	1,002.69	43.81	41.55	39.18	56.93	34.48	37.27	36.30	39.22	36.39	41.69	58.36	32.77
11.20	60.13	60.63	957.92	43.80	41.72	39.13	57.02	34.29	34.84	36.22	39.36	36.71	41.80	58.19	32.69
11.25	60.51	60.50	996.35	45.15	41.82	39.46	57.21	35.85	40.56	36.41	41.26	37.07	42.09	58.58	31.73
11.30	61.00	60.80	1,003.38	44.37	41.88	39.55	57.38	35.27	37.30	36.33	38.82	36.41	42.17	58.69	33.57
11.35	61.07	60.49	1,003.93	44.37	41.90	39.63	57.50	35.91	39.29	36.43	39.96	36.70	42.23	58.82	33.56
11.40	61.89	61.20	999.31	44.76	42.28	39.72	57.93	35.31	37.24	36.54	39.50	36.51	42.30	59.58	34.46
11.45	61.66	61.10	1,002.90	44.80	42.36	39.83	57.75	35.28	38.37	36.39	39.35	36.50	42.29	59.36	32.93
11.50	61.70	61.35	995.54	45.33	42.46	40.27	58.18	35.58	40.03	36.71	40.69	37.01	42.84	59.78	33.74
11.55	62.53	61.95	991.14	45.44	42.65	40.61	58.45	36.29	40.44	36.98	40.76	37.03	43.16	60.04	33.22
12.00	62.04	61.97	986.70	45.46	42.84	40.32	58.43	35.40	36.44	36.89	39.54	36.67	43.11	60.20	33.94
12.05	62.21	62.07	983.62	45.74	43.00	40.86	58.62	35.36	39.17	37.21	40.64	37.38	43.35	60.45	33.13
12.10	62.50	62.12	979.61	45.80	43.22	40.97	59.02	35.89	38.87	37.48	40.94	37.35	43.60	60.76	33.27
12.15	62.55	62.35	968.75	46.13	43.58	41.11	59.36	37.16	41.78	37.68	42.03	37.95	43.78	60.91	33.51
12.20	63.00	62.43	969.42	46.71	43.79	41.40	59.45	37.26	41.68	38.01	42.74	38.27	44.16	60.95	32.18
12.25	62.53	62.62	956.97	46.55	43.82	41.46	59.46	35.72	37.04	37.92	41.16	38.00	44.21	60.92	32.55
12.30	62.87	62.70	949.62	47.27	44.08	41.68	59.52	37.38	41.35	38.17	42.72	38.62	44.40	60.88	33.46
12.35	61.98	61.37	947.17	46.61	43.87	41.78	59.04	36.94	40.82	38.06	43.07	38.25	44.55	60.54	33.66
12.40	61.81	61.62	936.26	46.88	43.87	41.82	59.12	36.73	41.74	38.17	40.23	37.84	44.46	60.36	32.10
12.45	62.26	61.71	899.68	46.73	43.87	41.76	59.15	36.25	40.74	38.09	41.99	37.82	44.46	60.64	33.14
12.50	62.13	61.82	899.62	46.93	44.01	41.30	59.10	36.82	36.44	38.26	40.44	37.54	44.47	60.15	33.34



ตารางที่ ข.8 ข้อมูลความเข้มแสงอากาศด้วยอุณหภูมิแวดล้อม, อุณหภูมิของ CPAC Monier, Air Gaps และ Gypsum Board วันที่ 6/04/2545(ต่อ)

Time	TLM	TUM	It	TR	TUC	TLG	ILM-RSC	TR-RSC	Tout	TUC-RSC	TA	Tin	TUG-RSC	TUM-RSC	Tamb
12.55	61.77	61.48	905.55	46.99	44.14	41.23	58.57	36.71	40.08	38.08	41.12	37.88	44.26	59.84	33.35
13.00	61.88	61.33	898.68	46.96	44.23	40.85	58.40	35.77	36.86	37.96	40.97	37.83	43.98	59.29	33.73
13.05	61.78	60.99	888.19	47.20	44.24	41.49	58.20	37.54	41.73	38.28	42.72	38.51	44.00	59.67	34.20
13.10	60.85	60.63	880.37	47.20	44.25	41.38	57.83	37.24	40.72	38.12	41.22	38.59	43.99	58.90	34.93
13.15	61.03	60.59	870.07	46.69	44.19	40.77	57.73	37.26	37.24	38.31	40.96	38.03	43.96	59.01	34.32
13.20	60.70	59.98	857.15	46.55	44.07	40.60	57.14	36.39	36.28	38.17	40.53	38.22	43.53	58.49	34.11
13.25	61.60	60.34	838.92	46.75	44.28	41.03	57.49	37.42	39.54	38.43	40.93	38.33	43.61	59.27	35.08
13.30	61.17	60.56	828.55	47.03	44.54	41.07	57.47	37.46	38.61	38.82	40.76	38.64	43.82	58.67	35.16
13.35	60.44	59.84	814.95	46.98	44.50	40.81	56.79	36.70	37.55	38.79	40.87	38.20	43.41	58.33	34.45
13.40	60.96	59.71	805.42	46.97	44.58	41.07	56.63	37.28	40.53	38.90	41.64	38.47	43.47	58.53	33.48
13.45	61.01	59.86	795.76	47.66	44.91	41.64	56.89	38.00	42.24	39.34	42.83	39.37	43.97	58.25	34.29
13.50	60.86	59.95	777.36	47.55	44.96	41.91	56.87	37.84	41.74	39.31	42.32	39.60	44.17	58.71	34.06
13.55	61.09	59.98	761.47	47.69	45.38	42.21	57.21	38.28	41.64	39.85	42.63	39.44	44.56	58.87	35.14
14.00	60.74	59.99	747.22	47.81	45.62	42.62	57.16	38.62	42.33	40.21	42.42	39.82	44.90	58.65	35.00
14.05	60.09	59.55	735.55	48.08	45.58	42.79	56.82	38.64	42.75	40.25	43.53	39.93	45.01	58.22	34.61
14.10	59.68	59.22	721.40	48.18	45.53	42.86	56.63	39.01	42.85	40.40	43.66	40.03	45.18	57.89	35.12
14.15	59.15	58.69	707.75	47.94	45.44	42.66	56.23	37.93	39.23	40.14	42.65	39.95	44.89	57.59	35.69
14.20	58.57	58.30	692.82	48.06	45.60	42.16	55.84	38.53	39.75	40.17	42.57	39.83	44.81	57.08	36.79
14.25	58.36	57.71	673.21	47.84	45.28	42.78	55.50	39.40	42.82	40.46	42.57	40.05	44.87	56.99	35.14
14.30	57.59	57.09	660.26	47.89	45.31	42.46	54.93	37.83	39.08	40.17	42.32	39.86	44.62	56.23	35.22
14.35	57.01	56.66	639.92	47.81	45.21	42.59	54.54	38.35	42.04	40.29	43.77	40.44	44.67	55.53	34.33
14.40	56.18	55.82	622.96	48.07	45.14	42.72	54.09	39.12	41.74	40.33	43.54	40.93	44.68	55.13	34.53
14.45	56.20	55.33	602.67	47.20	44.99	42.74	53.82	37.96	40.41	40.23	42.89	39.75	44.66	55.19	34.58
14.50	55.51	54.93	585.31	47.28	45.02	42.81	53.56	39.39	42.57	40.61	43.65	40.14	44.82	54.71	34.54
14.55	54.95	54.54	565.09	47.13	44.99	42.93	52.86	39.26	42.10	40.65	43.03	40.32	44.87	54.02	34.63
15.00	54.48	54.05	545.28	47.12	44.90	42.85	52.72	39.23	42.11	40.67	42.25	40.14	44.70	53.70	35.24
15.05	53.50	53.31	526.78	46.86	44.65	42.73	52.13	39.41	42.06	40.67	43.74	40.29	44.65	53.05	34.57
15.10	53.18	52.86	503.27	46.59	44.46	42.68	51.66	38.58	39.90	40.68	41.90	40.29	44.33	52.75	35.12
15.15	52.92	52.40	490.90	46.60	44.57	42.54	51.37	39.22	42.89	40.93	42.41	40.38	44.23	52.53	35.81
15.20	52.62	52.29	469.86	46.73	44.66	42.60	51.15	39.56	43.00	41.19	43.05	40.44	44.30	51.99	35.15

ตารางที่ ข.9 ข้อมูลความเข้มแสงอาทิตย์, อุณหภูมิแวดล้อม, อุณหภูมิของ CPAC Monier, Air Gap และ Gypsum Board วันที่ 6/04/2545(ต่อ)

Time	TLM	TUM	It	TR	TUC	TLG	TLM-RSC	TR-RSC	TouI	TUC-RSC	TA	Tin	TUG-RSC	TUM-RSC	Tamb
15.25	52.28	51.95	452.55	46.68	44.66	42.67	50.82	39.46	42.80	41.42	42.39	40.42	44.29	51.71	35.63
15.30	52.01	51.60	435.06	46.40	44.62	42.68	50.52	39.71	42.84	41.56	42.73	40.34	44.28	51.45	35.99
15.35	51.19	51.09	366.80	46.38	44.68	42.73	49.94	38.08	38.99	41.58	41.87	40.56	44.14	50.80	34.22
15.40	50.01	49.90	338.92	45.89	44.49	42.58	49.19	39.35	41.96	41.31	42.18	40.40	44.10	49.81	35.28
15.45	48.38	48.82	172.68	45.80	44.18	42.41	48.46	39.18	42.96	41.24	42.46	40.26	43.94	48.35	35.39
15.50	47.23	47.55	270.91	45.17	43.73	42.21	47.36	39.60	42.58	41.06	42.36	40.14	43.66	47.51	35.87
16.00	46.60	46.68	285.39	44.50	43.16	41.97	46.72	39.06	42.51	40.90	41.44	39.83	43.37	47.00	35.36
16.05	46.16	46.29	262.82	44.34	43.02	41.83	46.43	39.55	42.39	40.86	41.86	40.02	43.12	46.49	35.07
16.10	44.85	45.45	187.28	43.80	42.64	41.59	45.78	39.31	41.11	40.82	41.89	39.76	42.95	45.47	34.06
16.15	45.66	45.31	320.34	43.56	42.27	41.41	45.68	39.31	41.85	40.58	41.72	39.64	42.68	46.05	35.99
16.20	45.54	45.43	269.35	43.52	42.24	40.96	45.54	37.78	37.26	40.46	39.51	39.95	42.16	45.78	34.38
16.25	44.63	44.78	212.75	43.09	42.04	40.74	44.97	38.80	40.98	40.18	40.86	39.55	41.89	44.91	34.89
16.30	43.45	43.92	183.16	42.63	41.68	40.61	44.29	38.90	40.41	40.00	40.93	39.35	41.78	44.03	34.07
16.35	42.11	42.87	138.96	42.16	41.18	40.32	43.64	38.19	40.64	39.85	40.64	39.14	41.52	43.10	34.41
16.40	41.15	41.94	134.11	41.64	40.84	40.08	42.95	38.30	39.95	39.54	40.15	38.88	41.21	42.30	33.79
16.45	40.29	41.15	119.06	40.99	40.30	39.74	42.32	37.84	40.28	39.30	40.09	38.53	40.93	41.56	34.43
16.50	39.56	40.42	115.03	40.54	39.89	39.47	41.72	37.66	38.73	38.92	39.37	38.26	40.57	40.95	33.78
16.55	39.11	39.89	112.20	40.27	39.53	39.12	41.31	37.27	39.61	38.77	39.08	37.89	40.20	40.55	33.83
17.00	38.66	39.44	112.71	40.00	39.31	38.90	40.91	36.80	38.84	38.64	38.66	37.48	39.91	40.10	33.84

ตารางที่ ข. 10 ข้อมูลความเข้มแสงอาทิตย์, อุณหภูมิแวดล้อม, อุณหภูมิของ CPAC Monier, Air Gap และ Gypsum Board วันที่ 1/05/2545

Time	TLM	TUM	It	TR	TUC	TLG	TLM-RSC	TR-RSC	Tout	TUC-RSC	TA	Tin	TUG-RSC	TUM-RSC	Tamb
8.00	29.1	29.6	166.4	26.9	26.7	27.5	28.5	26.8	26.9	26.9	27.0	26.9	27.6	29.0	26.8
8.05	29.4	30.1	185.5	27.2	26.9	28.6	29.0	27.2	27.3	27.2	27.3	27.5	28.1	29.6	27.6
8.10	29.9	30.5	194.3	27.4	27.2	27.9	29.6	27.4	27.5	27.6	27.5	27.6	28.3	30.1	27.5
8.15	30.3	31.0	215.6	27.5	27.5	27.8	30.2	27.8	27.9	28.0	27.9	28.1	28.3	30.8	27.8
8.20	30.8	31.8	252.8	27.8	27.8	27.9	30.9	28.0	28.3	28.3	28.1	28.1	28.4	31.5	27.5
8.25	31.7	32.8	303.5	28.2	28.0	28.0	31.7	28.3	28.6	28.5	28.2	28.3	28.6	32.4	27.0
8.30	33.2	34.9	528.2	28.6	28.3	28.4	33.0	28.8	29.0	28.8	28.7	28.7	28.9	34.4	29.4
8.35	34.8	36.2	443.6	29.1	28.8	28.7	34.4	29.0	29.4	29.2	28.9	28.9	29.3	35.4	29.1
8.40	36.5	38.0	503.3	29.0	29.2	29.1	35.8	29.2	29.7	29.6	29.6	29.4	29.8	37.0	29.1
8.45	37.5	39.2	610.9	29.4	29.7	29.6	36.8	29.5	30.1	30.0	29.9	29.8	30.3	38.1	28.5
8.50	39.1	40.2	405.1	30.2	30.2	30.0	37.9	30.1	30.6	30.3	29.9	30.0	30.5	38.7	28.6
8.55	39.5	40.7	476.5	30.7	30.5	30.4	38.3	30.1	30.7	30.7	30.8	30.7	31.1	39.3	29.8
9.00	40.9	43.0	816.2	30.6	31.1	30.9	39.5	30.4	31.3	31.0	31.8	31.6	31.7	41.2	31.1
9.05	42.5	43.6	518.1	31.1	31.7	31.3	41.0	31.1	32.3	31.5	32.1	31.7	32.3	41.8	29.0
9.10	42.2	43.3	490.3	30.8	31.9	31.4	41.0	30.6	31.5	31.6	31.8	31.3	32.6	41.8	28.7
9.15	41.9	42.9	438.6	30.9	32.1	31.7	41.1	30.5	31.5	31.7	32.0	31.5	32.9	41.6	29.8
9.20	41.3	42.4	412.5	31.7	32.1	31.7	40.8	30.6	31.8	31.7	32.1	31.4	33.0	41.4	30.0
9.25	41.1	42.3	421.3	32.4	32.3	32.0	40.8	31.4	33.0	31.8	32.7	31.7	33.2	41.3	28.9
9.30	41.1	42.6	510.6	32.3	32.5	32.1	41.1	30.7	31.5	31.9	32.4	31.8	33.4	41.8	29.5
9.35	41.7	43.2	532.4	31.5	32.5	32.1	41.6	31.0	32.0	31.9	32.4	31.6	33.4	42.2	28.4
9.40	42.3	43.4	410.1	33.1	32.9	32.4	42.0	31.7	33.8	32.1	34.2	32.2	33.7	42.3	28.3
9.45	42.1	43.2	419.5	33.3	33.1	32.7	41.8	32.0	34.4	32.3	34.1	32.3	34.0	42.2	29.1
9.50	42.2	43.5	465.1	33.5	33.3	33.0	41.9	32.0	35.1	32.5	34.7	32.6	34.3	42.4	28.9
9.55	42.4	43.8	596.3	32.6	33.1	33.2	42.3	32.1	34.3	32.6	34.0	32.4	34.5	42.9	28.8
10.00	44.8	46.6	687.5	33.2	33.4	33.3	44.2	32.0	33.9	32.7	33.8	32.5	34.7	45.3	29.8
10.05	46.7	48.1	580.9	34.2	33.9	33.7	45.6	32.9	35.5	33.1	35.0	33.2	35.2	46.4	29.7
10.10	47.5	49.8	1,029.3	34.6	34.4	34.1	46.2	32.8	35.5	33.3	35.5	33.5	35.7	48.1	30.7
10.15	50.3	52.3	893.4	33.9	34.7	34.1	48.7	32.0	33.7	33.6	34.5	33.7	36.1	49.7	31.5
10.20	53.5	55.9	1,103.2	35.3	35.5	34.9	51.0	33.8	37.4	34.1	37.3	34.4	36.7	53.1	31.1

ตารางที่ ข. 11 ข้อมูลความเข้มแสงอาทิตย์,อุณหภูมิแวดล้อม,อุณหภูมิของ CPAC Monier, Air Gap และ Gypsum Board วันที่ 1/05/2545(ต่อ)

Time	TLM	TUM	It	TR	TUC	TLG	ILM-RSC	TR-RSC	Tout	TUC-RSC	TA	Tin	TUG-RSC	TUM-RSC	Tamb
10.25	55.7	56.6	726.9	36.6	36.6	36.1	53.1	34.0	38.4	34.8	38.5	34.9	38.2	53.9	29.9
10.30	54.1	55.3	970.3	34.2	36.7	36.5	52.0	33.7	36.9	34.9	37.0	34.9	38.6	53.0	29.8
10.35	55.5	57.2	944.5	37.5	37.1	36.9	53.5	34.8	39.7	35.2	40.1	35.6	39.0	54.9	31.4
10.40	54.1	54.5	509.0	37.7	37.4	37.4	52.5	35.2	40.0	35.5	40.1	35.8	39.5	52.6	30.2
10.45	52.5	53.3	567.6	37.5	37.3	37.6	51.3	35.1	39.8	35.6	40.3	35.9	39.7	51.8	30.0
10.50	51.2	52.1	630.8	37.7	37.4	37.7	50.4	34.8	39.8	35.7	39.4	35.6	39.7	51.0	30.9
10.55	50.2	50.9	579.4	36.7	37.1	37.8	49.8	35.2	39.8	35.7	40.3	35.6	39.8	50.2	29.8
11.00	52.6	55.5	1,159.2	37.3	37.2	37.8	51.8	35.2	39.7	35.8	40.0	35.8	39.9	54.0	31.8
11.05	55.0	57.4	1,098.2	37.2	37.4	38.1	54.0	35.2	39.3	35.9	39.2	36.1	40.2	55.7	32.4
11.10	56.0	58.3	1,127.6	37.0	37.8	38.2	54.8	35.0	38.2	36.1	38.9	36.2	40.5	56.5	32.2
11.15	57.5	59.6	1,084.0	38.2	38.1	38.5	56.0	36.3	42.0	36.3	42.4	36.5	40.9	57.7	31.0
11.20	57.6	58.8	676.4	38.4	38.7	38.9	56.2	35.8	39.2	36.6	39.6	36.9	41.2	57.1	32.1
11.25	56.1	57.0	710.7	38.7	38.8	39.2	55.0	36.2	41.9	36.8	43.0	37.2	41.6	55.7	31.0
11.30	53.7	54.3	709.7	35.8	38.2	39.2	53.4	34.5	37.8	36.5	39.2	36.6	41.4	53.8	31.9
11.35	53.6	55.4	913.8	37.4	38.1	39.2	53.5	35.9	39.7	36.5	40.1	36.6	41.5	54.8	32.5
11.40	54.5	56.5	819.7	37.2	38.2	39.1	54.3	35.2	38.1	36.4	39.1	36.4	41.3	55.6	33.2
11.45	56.5	59.4	1,234.3	38.7	38.5	39.4	55.8	36.3	40.9	36.7	41.3	36.9	41.7	57.8	32.3
11.50	56.7	57.9	774.2	37.2	38.9	39.6	56.0	35.6	39.4	37.0	40.2	37.2	42.0	56.2	32.1
11.55	55.4	57.2	874.8	38.7	38.9	39.7	54.7	36.2	41.7	37.0	42.0	37.1	42.0	56.1	32.7
12.00	55.9	58.2	876.2	39.6	39.2	40.0	55.4	36.7	41.3	37.2	42.3	37.6	42.4	57.0	33.6
12.05	55.4	56.6	738.3	39.2	39.1	40.1	54.9	37.0	41.8	37.2	42.6	37.4	42.5	55.5	32.5
12.10	53.9	55.5	746.1	38.9	38.8	40.2	53.6	35.9	40.1	37.1	41.1	36.8	42.5	54.8	31.7
12.15	53.1	54.4	634.1	39.1	38.7	40.1	53.2	36.7	42.0	37.2	42.0	37.3	42.5	53.8	32.1
12.20	54.8	56.8	776.9	38.8	39.1	40.1	54.7	37.2	42.4	37.5	42.5	37.7	42.5	55.8	32.2
12.25	56.0	58.6	997.6	39.2	39.2	40.3	55.4	36.9	41.7	37.6	41.9	37.7	42.6	57.3	31.5
12.30	56.2	58.2	769.2	39.7	39.4	40.4	55.5	37.1	42.2	37.8	42.3	37.8	42.8	57.1	32.4
12.35	55.0	56.3	600.6	39.6	39.7	40.6	54.6	37.0	41.9	37.9	42.0	37.9	42.9	55.3	32.1
12.40	54.1	56.5	1,084.0	39.6	39.6	40.6	53.9	36.9	43.3	38.0	41.5	37.8	42.9	56.0	32.8
12.45	54.1	55.0	537.3	39.6	40.0	40.7	54.1	37.2	41.9	38.2	41.9	38.2	42.9	54.4	31.4
12.50	52.5	53.6	484.2	39.6	39.8	40.7	52.9	36.9	40.7	38.1	41.8	38.0	42.9	53.2	32.3

ตารางที่ ข. 12 ข้อมูลความเข้มแสงอาทิตย์, อุณหภูมิแวดล้อม, อุณหภูมิของ CPAC Monier, Air Gap และ Gypsum Board วันที่ 1/05/2545(ต่อ)

Time	TLM	TUM	It	TR	TUC	TLG	ILM-RSC	TR-RSC	Tout	TUC-RSC	TA	Tin	TUG-RSC	TUM-RSC	Tamb
12.55	51.2	53.9	937.8	38.9	39.4	40.5	52.0	36.3	40.7	37.9	40.9	37.6	42.6	53.6	32.7
13.00	52.1	53.6	530.0	39.7	39.7	40.4	52.6	37.7	42.4	38.1	42.0	38.0	42.5	53.0	32.8
13.05	51.6	53.2	542.7	39.6	39.6	40.5	52.3	37.7	42.8	38.1	42.9	38.1	42.7	52.8	32.0
13.10	51.5	53.2	571.1	39.5	39.7	40.6	52.1	37.9	42.8	38.3	42.5	38.2	42.7	52.6	32.5
13.15	50.6	51.7	486.9	37.7	39.5	40.7	51.4	37.5	41.7	38.2	42.5	38.0	42.7	51.3	31.4
13.20	51.7	54.1	769.6	40.1	39.5	40.6	52.3	37.9	43.4	38.3	43.5	38.4	42.7	53.3	31.9
13.25	52.8	54.9	722.8	38.6	39.6	40.7	53.1	36.8	40.6	38.4	41.6	38.2	42.8	54.1	31.5
13.30	53.4	55.1	548.8	40.5	39.9	40.8	53.8	38.0	42.9	38.7	42.8	38.6	42.9	54.3	32.4
13.35	53.2	54.7	472.0	39.9	40.0	40.9	53.5	37.9	42.0	38.7	41.9	38.4	43.0	53.9	31.5
13.40	52.5	55.4	944.6	39.7	39.9	41.1	53.1	37.4	40.6	38.8	42.7	38.6	43.2	55.0	32.8
13.45	53.1	56.1	913.1	40.4	40.0	41.2	53.7	38.2	43.4	38.9	43.6	39.0	43.4	55.3	33.1
13.50	54.9	57.4	689.0	40.2	40.3	41.3	55.1	38.4	42.9	39.1	43.0	39.0	43.5	56.1	33.6
13.55	55.5	57.3	626.0	38.9	40.6	41.5	55.5	38.8	42.9	39.3	42.6	39.3	43.6	56.2	32.4
14.00	55.6	57.9	726.6	41.1	40.7	41.6	55.3	38.5	43.7	39.4	43.1	39.1	43.8	56.8	33.2
14.05	55.5	58.2	850.5	40.6	40.8	41.8	55.4	38.9	43.3	39.5	43.8	39.3	44.1	56.9	33.4
14.10	55.9	58.3	864.4	40.1	40.9	42.0	55.7	39.1	44.1	39.6	45.1	39.7	44.3	57.0	32.6
14.15	56.5	59.6	913.8	41.5	41.1	42.1	56.2	38.7	43.7	39.6	43.3	39.3	44.3	58.3	34.6
14.20	56.3	58.4	759.8	41.8	41.5	42.2	56.0	39.2	43.9	39.9	44.1	39.9	44.4	57.2	32.6
14.25	56.5	58.2	506.2	42.5	41.7	42.4	56.1	39.5	45.4	40.1	46.2	40.2	44.7	56.7	32.5
14.30	53.7	54.7	394.5	41.5	41.6	42.4	53.6	38.9	43.8	40.0	43.7	39.5	44.5	54.1	33.9
14.35	51.6	52.5	345.4	41.8	41.4	42.4	52.2	39.3	44.3	40.0	44.6	39.9	44.4	52.3	32.3
14.40	51.4	53.0	511.3	41.4	41.2	42.2	52.2	39.4	44.4	40.0	43.7	39.7	44.2	52.8	33.5
14.45	51.5	54.2	728.3	40.8	41.1	42.1	52.4	39.3	44.4	40.0	43.9	39.9	44.2	53.6	33.3
14.50	52.2	54.2	576.6	41.0	41.3	42.2	52.7	39.4	43.7	40.3	44.0	40.0	44.1	53.6	33.3
14.55	51.7	53.9	612.1	41.1	41.1	42.1	52.5	39.3	43.2	40.1	43.9	39.9	44.1	53.6	32.7
15.00	51.4	53.6	589.0	41.1	41.1	42.2	52.2	39.6	43.8	40.2	44.1	40.0	44.1	53.0	33.6
15.05	51.2	53.6	568.5	41.3	41.0	42.0	52.0	39.8	44.6	40.3	43.7	39.9	44.0	52.9	33.2
15.10	51.0	52.9	556.3	41.0	41.2	42.1	51.7	39.6	43.5	40.5	44.7	40.3	44.1	52.4	33.2
15.15	50.5	52.7	523.0	41.2	41.2	42.1	51.3	39.5	43.2	40.5	43.3	39.9	44.0	52.2	32.6
15.20	50.2	52.1	482.3	41.4	41.4	42.1	51.1	40.0	44.4	40.6	44.3	40.3	43.9	51.8	32.4

ตารางที่ ข. 13 ข้อมูลความเข้มแสงอาทิตย์, อุณหภูมิแวดล้อม, อุณหภูมิของ CPAC Monier, Air Gap และ Gypsum Board วันที่ 1/05/2545(ต่อ)

Time	TLM	TUM	It	TR	TUC	TLG	TLM-RSC	TR-RSC	Tout	TUC-RSC	TA	Tin	TUG-RSC	TUM-RSC	Tamb
15.25	49.4	51.6	486.2	41.0	41.2	42.1	50.4	39.5	44.2	40.5	43.8	40.1	43.8	51.4	33.5
15.30	49.0	50.7	473.5	41.1	41.2	42.0	50.0	40.0	43.6	40.6	43.7	40.1	43.8	50.4	33.8
15.35	47.9	49.1	379.2	40.6	41.1	41.9	48.9	39.3	42.3	40.6	43.4	40.0	43.6	49.0	33.6
15.40	46.5	48.2	306.0	39.8	40.6	41.6	47.9	38.6	40.0	40.2	41.6	39.6	43.0	48.1	32.8
15.45	45.8	47.2	333.5	40.3	40.5	41.4	47.4	39.5	42.3	40.2	42.8	39.7	42.9	47.6	33.3
15.50	44.8	45.7	300.3	39.4	40.2	41.3	46.5	39.5	42.4	40.1	42.7	39.9	42.8	46.3	32.5
16.00	43.5	44.6	239.8	39.8	39.8	41.1	45.6	37.9	39.7	39.9	41.0	39.8	42.4	45.4	32.8
16.05	42.8	44.2	236.4	39.5	39.5	40.7	45.1	39.0	42.5	39.7	41.7	39.1	42.1	45.0	33.3
16.10	42.8	44.4	276.1	38.9	39.3	40.5	45.0	38.6	41.1	39.6	41.2	39.1	41.9	45.0	33.5
16.15	42.9	44.7	339.6	39.3	39.2	40.4	45.0	38.5	40.2	39.6	40.1	39.2	41.6	45.2	33.4
16.20	43.2	44.9	352.9	39.3	39.3	40.2	45.1	38.7	41.3	39.6	41.2	39.2	41.4	45.3	33.2
16.25	43.1	44.6	348.0	38.8	39.3	40.1	44.9	38.9	41.4	39.6	41.5	39.3	41.4	44.9	33.5
16.30	41.9	42.8	265.8	38.5	38.9	40.0	43.8	38.8	40.8	39.4	41.1	39.1	41.2	43.3	32.8
16.35	40.7	41.8	141.4	38.7	38.6	39.7	42.8	38.4	41.1	39.2	40.8	38.7	40.9	42.5	33.7
16.40	40.1	41.3	184.8	38.4	38.3	39.5	42.3	38.5	41.1	39.1	40.3	38.6	40.7	42.1	33.2
16.45	39.8	41.1	190.7	38.4	38.3	39.4	42.0	38.5	41.1	39.2	40.2	38.5	40.5	41.7	33.5
16.50	39.5	40.9	192.8	38.1	38.2	39.2	41.6	38.4	40.6	39.1	40.0	38.4	40.2	41.5	33.7
16.55	39.3	40.7	199.8	38.4	38.2	39.0	41.2	38.4	40.7	39.1	39.9	38.4	40.0	41.1	33.5
17.00	39.0	40.3	183.7	38.2	38.2	38.9	40.9	38.5	40.4	39.1	39.6	38.4	39.8	40.7	33.3

ตารางที่ ข.14 ข้อมูลความชื้นสัมพัทธ์,อุณหภูมิแวดล้อม,อุณหภูมิของ CPAC Monier, Air Gap และ Gypsum Board วันที่ 2/05/2545

Time	TLM	TUM	It	IR	TUC	TILG	TLM-RSC	TR-RSC	Tout	TUC-RSC	TA	Tin	TUG-RSC	TUM-RSC	Tamb
8.00	36.8	37.6	440.0	31.0	30.3	29.9	36.2	31.0	31.8	31.1	31.3	30.6	30.7	36.4	29.5
8.05	37.4	38.3	456.5	31.2	30.6	30.3	36.9	31.3	32.2	31.4	31.7	30.9	31.1	37.3	29.8
8.10	38.1	39.1	476.1	31.3	31.0	30.6	37.5	31.5	32.3	31.6	31.9	31.1	31.5	37.8	30.2
8.15	39.0	39.8	491.8	31.7	31.3	30.9	38.2	31.6	32.8	31.8	32.1	31.3	31.8	38.5	30.5
8.20	39.9	40.8	533.7	31.7	31.6	31.2	39.0	31.6	32.9	32.1	32.1	31.5	32.2	39.4	29.9
8.25	41.0	41.9	552.7	32.6	32.1	31.6	39.9	32.2	33.3	32.4	32.6	32.0	32.6	40.5	30.9
8.30	40.5	41.5	559.8	32.0	31.6	31.3	40.0	32.0	33.3	32.3	32.9	31.9	32.7	40.5	29.7
8.35	42.5	43.3	573.7	33.3	32.7	32.2	41.1	32.6	34.3	32.9	33.9	32.5	33.2	41.5	30.2
8.40	43.2	44.0	599.9	33.2	33.0	32.5	41.8	32.5	34.5	33.0	34.2	32.7	33.6	42.4	30.6
8.45	43.7	44.6	621.8	33.7	33.4	32.9	42.5	33.1	34.9	33.3	34.9	32.9	34.1	42.9	31.6
8.50	44.4	45.2	645.9	33.9	33.6	33.3	43.1	33.2	35.5	33.6	35.7	33.2	34.5	43.5	30.5
8.55	44.9	45.5	662.6	34.1	33.9	33.6	43.6	33.3	35.6	33.7	35.3	33.5	34.9	44.0	30.2
9.00	45.3	46.2	681.1	34.4	34.0	33.9	44.1	33.4	35.7	33.8	35.2	33.5	35.2	44.9	32.4
9.05	45.6	46.3	700.4	34.6	34.3	34.2	44.7	33.7	36.0	34.1	36.0	33.8	35.6	45.0	31.2
9.10	46.2	47.1	717.5	35.0	34.6	34.5	45.2	34.1	36.7	34.3	36.4	33.9	35.9	45.8	31.2
9.15	46.6	47.6	733.7	35.1	34.8	34.8	45.7	34.4	36.8	34.4	36.9	34.3	36.2	46.3	31.0
9.20	47.1	48.0	741.0	35.3	35.0	35.1	46.3	34.6	37.3	34.7	37.8	34.4	36.6	47.0	31.2
9.25	47.9	48.9	765.2	35.7	35.3	35.4	46.9	34.6	37.4	34.9	37.9	34.7	36.9	47.7	31.3
9.30	48.6	49.7	773.1	35.9	35.6	35.7	47.7	34.9	37.3	35.2	37.2	34.9	37.3	48.5	33.6
9.35	49.4	50.6	782.4	36.2	36.0	36.0	48.4	34.9	37.8	35.4	37.8	35.0	37.6	49.4	33.0
9.40	49.9	51.0	805.8	35.8	36.2	36.4	48.9	34.3	37.0	35.6	37.6	35.3	38.0	49.8	31.7
9.45	50.2	51.0	817.5	36.1	36.2	36.5	49.2	34.7	38.7	35.5	38.9	35.2	38.2	49.8	32.4
9.50	50.8	51.8	828.0	36.2	36.5	36.7	49.7	35.3	38.6	35.7	38.9	35.5	38.5	50.6	31.9
9.55	51.5	52.3	844.7	35.5	36.8	37.0	50.4	34.9	37.8	35.9	38.9	35.9	38.8	51.0	32.9
10.00	51.9	53.2	860.2	36.6	37.1	37.2	50.8	34.6	36.8	36.1	37.7	36.0	39.1	51.8	33.4
10.05	52.1	52.8	852.9	35.6	37.0	37.3	51.2	34.5	37.2	36.0	38.0	35.6	39.2	51.5	32.1
10.10	52.4	53.4	896.4	36.8	37.1	37.5	51.4	35.0	37.9	35.9	38.8	35.7	39.4	52.3	33.2
10.15	52.9	54.0	905.3	37.0	37.2	37.8	51.8	35.5	38.7	36.0	39.6	35.9	39.7	52.8	32.7
10.20	53.3	54.3	907.1	36.1	37.3	38.0	52.2	35.7	39.9	36.1	40.8	36.3	40.0	53.0	31.6

ตารางที่ ข.15 ข้อมูลความเข้มแสงอาทิตย์, อุณหภูมิแวดล้อม, อุณหภูมิของ CPAC Monier, Air Gap และ Gypsum Board วันที่ 2/05/2545(ต่อ)

Time	TLM	TUM	It	TR	TUC	TLG	TLM-RSC	TR-RSC	1out	TUC-RSC	TA	Tin	TUG-RSC	TUM-RSC	Tamb
10.25	53.4	54.2	918.2	35.9	37.2	37.9	52.4	36.0	39.7	36.0	40.8	37.5	40.1	53.2	32.5
10.30	54.2	55.4	932.8	37.3	37.5	38.1	53.0	35.4	39.0	36.1	39.4	36.3	40.1	54.3	32.9
10.35	55.1	56.6	949.4	37.7	38.0	38.5	53.9	36.4	40.0	36.5	40.3	36.8	40.5	55.2	32.7
10.40	56.0	57.6	951.3	38.8	38.5	38.7	54.5	35.9	39.2	36.6	39.8	36.8	40.8	56.0	33.8
10.45	56.7	58.0	958.2	39.1	38.7	39.0	55.1	36.6	41.6	36.8	42.5	37.1	41.2	56.2	32.5
10.50	57.0	58.6	956.3	39.5	39.1	39.4	55.5	36.5	41.4	37.1	41.8	37.1	41.6	56.9	33.3
10.55	57.7	59.1	986.2	39.6	39.5	39.6	56.2	37.1	41.1	37.4	42.0	37.8	41.9	57.5	33.7
11.00	57.7	58.6	991.5	37.6	39.4	39.8	56.5	36.6	40.7	37.4	42.5	37.6	42.2	57.2	32.5
11.05	58.1	59.5	984.3	38.6	39.6	40.0	56.9	37.3	41.3	37.5	41.9	37.8	42.4	58.1	33.1
11.10	58.1	59.7	984.8	39.4	39.8	40.2	57.0	36.8	40.4	37.7	41.2	37.5	42.6	58.5	34.3
11.15	58.8	60.6	988.9	40.9	40.4	40.5	57.6	37.4	41.9	38.1	43.0	38.5	42.9	59.1	34.5
11.20	59.0	60.5	992.9	40.0	40.3	40.8	58.0	37.5	42.9	38.1	43.8	38.6	43.3	59.4	33.2
11.25	59.1	60.8	1,003.7	40.0	40.3	40.8	58.1	36.9	41.4	38.1	41.5	38.1	43.3	59.5	34.9
11.30	59.8	61.7	1,005.2	40.2	40.6	41.1	58.6	37.9	42.8	38.2	42.9	38.4	43.6	60.0	33.1
11.35	60.3	62.0	1,015.3	41.8	41.0	41.4	59.0	38.2	43.9	38.6	44.0	38.9	44.0	60.1	34.3
11.40	60.4	62.2	1,014.4	41.9	41.2	41.8	59.2	38.6	45.0	38.7	45.3	39.2	44.4	60.5	34.0
11.45	60.4	62.0	1,023.0	42.1	41.2	42.0	59.4	38.9	44.7	38.8	46.3	39.4	44.7	60.2	33.4
11.50	60.9	62.8	1,021.2	41.3	41.4	42.1	59.8	38.6	44.7	39.1	45.2	39.5	44.8	61.2	34.1
11.55	61.4	63.1	1,024.3	41.9	41.6	42.3	60.1	38.8	44.9	39.2	46.0	39.6	45.1	61.5	33.7
12.00	60.6	62.6	1,008.7	42.0	41.5	42.5	59.8	38.9	44.8	39.2	45.0	39.5	45.2	60.8	33.7
12.05	60.8	62.5	998.1	41.9	41.8	42.7	60.0	39.0	44.9	39.5	45.3	39.8	45.5	61.0	34.3
12.10	60.5	62.8	1,009.3	42.6	41.7	42.9	59.7	38.8	44.7	39.5	44.7	39.7	45.5	61.5	35.1
12.15	60.6	62.8	1,000.6	42.1	41.8	43.0	60.1	39.2	45.3	39.8	45.5	40.1	45.7	61.6	34.0
12.20	61.0	62.8	990.4	42.6	42.1	43.1	60.3	39.6	46.5	39.9	47.1	40.4	45.9	61.5	33.5
12.25	61.0	63.2	995.4	42.6	42.2	43.3	60.2	39.1	45.5	40.0	45.6	40.2	46.0	61.7	34.9
12.30	61.3	63.6	972.4	42.9	42.6	43.5	60.5	39.7	45.5	40.3	45.5	40.4	46.1	61.9	35.1
12.35	61.4	63.6	983.4	42.7	42.6	43.5	60.7	40.0	46.0	40.3	45.0	40.6	46.2	62.3	35.1
12.40	61.4	63.5	990.2	43.0	42.8	43.7	60.7	40.0	46.5	40.5	46.3	40.9	46.4	62.0	34.5
12.45	61.2	63.4	983.9	42.7	42.7	43.8	60.6	40.2	45.5	40.5	46.0	40.6	46.5	62.0	35.2
12.50	61.3	63.6	965.4	42.9	42.9	43.9	60.9	40.2	46.8	40.7	47.4	41.2	46.7	62.4	33.9



ตารางที่ ข.16 ข้อมูลความเข้มแสงอาทิตย์, อุณหภูมิแวดล้อม, อุณหภูมิของ CPAC Monitor, Air Gap และ Gypsum Board วันที่ 2/05/2545(ต่อ)

Time	TLM	TUM	It	TR	TUC	TLG	TLM-RSC	TR-RSC	Tout	TUC-RSC	TA	Tin	TUG-RSC	TUM-RSC	Tamb
12.55	61.1	63.1	961.4	41.2	43.1	44.2	60.9	39.7	44.6	41.0	46.0	40.9	46.9	61.9	34.5
13.00	61.5	63.7	942.0	43.3	43.3	44.3	61.0	40.5	46.7	41.2	47.1	41.1	47.0	62.2	33.9
13.05	61.4	63.7	936.3	43.7	43.3	44.4	61.0	40.0	47.1	41.2	46.7	40.9	47.1	62.4	36.1
13.10	61.6	63.7	929.5	43.4	43.4	44.6	61.1	40.8	47.0	41.3	47.0	41.3	47.3	62.6	34.3
13.15	61.4	63.4	921.8	43.1	43.5	44.8	61.2	40.8	46.5	41.5	48.2	41.6	47.5	62.4	35.0
13.20	61.6	63.9	912.8	43.8	43.7	44.8	61.1	40.8	46.6	41.6	47.1	41.7	47.5	62.6	34.3
13.25	61.2	63.5	904.2	43.5	43.8	44.9	61.1	41.3	47.2	41.8	47.5	41.8	47.6	62.4	35.0
13.30	60.9	63.2	898.3	44.1	43.7	45.0	60.9	40.9	46.8	41.7	46.5	41.5	47.6	62.3	35.2
13.35	60.5	62.6	874.3	42.9	43.8	45.0	60.7	41.4	47.6	41.8	47.9	42.1	47.7	61.6	34.4
13.40	60.4	62.8	859.1	43.1	43.8	45.0	60.5	40.3	45.4	41.7	46.0	41.5	47.6	61.9	36.0
13.45	59.9	62.2	848.2	43.2	44.0	45.0	60.2	41.1	45.5	41.8	46.8	42.2	47.6	61.1	34.9
13.50	59.5	61.7	834.9	43.3	43.8	45.0	59.9	41.2	47.3	41.8	48.1	42.3	47.6	61.0	35.5
13.55	59.5	61.6	817.4	43.2	43.9	45.0	59.7	41.5	47.3	41.8	47.9	42.1	47.6	60.7	34.8
14.00	58.9	61.3	797.0	43.9	43.6	45.0	59.2	41.6	47.6	41.7	47.6	41.8	47.6	60.4	34.6
14.05	59.0	61.7	787.6	43.7	43.7	45.0	59.3	40.2	43.8	41.9	45.3	41.7	47.4	60.9	35.9
14.10	58.9	61.3	771.8	44.1	44.0	45.1	59.2	41.2	46.9	42.1	47.5	42.2	47.7	60.4	35.8
14.15	58.7	61.3	764.8	43.5	44.2	45.1	59.1	41.7	46.0	42.3	46.1	42.1	47.5	60.3	35.8
14.20	58.2	60.5	743.1	44.3	44.2	45.2	58.7	42.0	47.9	42.3	48.2	42.6	47.7	59.7	35.0
14.25	58.1	60.4	723.3	43.9	44.4	45.3	58.7	41.5	47.2	42.6	47.2	42.3	47.7	59.9	36.1
14.30	57.4	59.6	716.1	44.0	44.1	45.3	58.1	41.8	46.6	42.5	47.2	42.3	47.8	59.1	35.1
14.35	57.6	59.6	703.3	45.2	44.3	45.4	58.0	42.0	48.6	42.7	48.2	42.5	47.7	58.9	34.6
14.40	57.1	59.4	679.1	44.0	44.2	45.3	57.5	41.8	46.9	42.7	47.1	42.4	47.6	58.8	35.6
14.45	56.8	59.3	657.3	44.8	44.6	45.1	57.3	42.0	47.3	42.9	47.3	42.5	47.5	58.6	35.8
14.50	56.4	58.7	637.0	44.9	44.6	45.2	56.8	42.4	47.6	42.9	47.0	42.6	47.4	57.9	35.1
14.55	56.1	58.2	618.8	44.6	44.7	45.2	56.5	42.2	47.5	43.0	48.0	42.8	47.6	57.3	36.4
15.00	55.6	57.6	606.0	45.3	44.7	45.3	56.1	42.6	48.4	43.2	48.6	43.1	47.6	56.8	35.3
15.05	54.8	56.6	591.1	43.8	44.4	45.3	55.7	42.7	47.6	43.2	48.3	43.2	47.4	56.2	35.5
15.10	54.0	55.9	587.0	43.9	44.2	45.3	55.1	42.8	47.6	43.2	48.0	43.1	47.4	55.6	34.6
15.15	53.0	55.1	566.2	43.7	43.8	45.2	54.4	42.3	46.3	43.0	46.9	42.7	47.2	55.2	35.2
15.20	52.5	54.5	538.5	42.9	43.7	45.1	53.9	42.4	46.4	43.0	47.1	42.9	47.1	54.4	35.2

ตารางที่ ข.17 ข้อมูลความเข้มแสงอาทิตย์, อุณหภูมิแวดล้อม, อุณหภูมิของ CPAC Monier, Air Gap และ Gypsum Board วันที่ 2/05/2545(ต่อ)

Time	TLM	TUM	Il	TR	TUC	TLG	TLM-RSC	TR-RSC	Tout	TUC-RSC	TA	Tin	TUC-RSC	TUM-RSC	Tamb
15.25	51.8	54.0	527.4	42.7	43.3	45.0	53.3	41.7	44.4	42.8	45.8	42.3	46.8	54.1	35.4
15.30	51.3	53.3	509.4	43.1	43.1	44.8	52.8	42.2	46.3	42.8	46.6	42.4	46.6	53.4	35.2
15.35	51.3	53.2	486.0	43.5	43.3	44.7	52.5	42.4	46.5	43.0	46.7	42.6	46.4	53.0	35.4
15.40	50.6	52.6	463.2	43.5	43.2	44.5	51.9	41.6	46.0	42.9	46.1	42.3	46.2	52.4	36.1
15.45	50.1	52.0	446.5	43.6	43.1	44.3	51.4	41.8	46.3	42.8	46.3	42.5	46.1	51.9	35.4
15.50	49.3	51.1	429.5	42.7	42.8	44.2	50.6	42.1	45.5	42.7	45.9	42.1	45.8	51.1	35.6
16.00	48.8	50.5	409.3	42.2	42.6	43.9	50.1	42.1	44.9	42.6	45.3	42.0	45.5	50.6	35.6
16.05	48.1	50.0	383.6	42.6	42.4	43.7	49.5	41.8	45.7	42.4	45.3	42.1	45.3	49.9	36.5
16.10	47.6	49.5	365.0	42.2	42.2	43.5	49.0	41.8	45.1	42.3	44.7	41.7	44.9	49.5	35.6
16.15	47.0	48.8	347.6	41.3	42.0	43.2	48.5	41.5	43.8	42.1	44.4	41.6	44.6	48.8	35.5
16.20	46.4	48.3	328.8	41.8	41.8	42.9	47.9	41.4	44.6	42.0	44.3	41.5	44.3	48.3	36.6
16.25	46.1	47.6	309.5	42.0	41.9	42.8	47.4	41.3	44.3	42.0	44.2	41.6	44.1	47.6	35.4
16.30	45.4	46.9	280.5	41.6	41.7	42.6	46.9	41.6	44.3	42.0	43.7	41.3	43.9	47.1	35.8
16.35	44.8	46.5	265.1	41.5	41.5	42.4	46.4	41.1	43.7	42.0	43.5	41.3	43.6	46.7	35.8
16.40	44.4	46.0	252.4	41.7	41.6	42.3	46.0	41.4	44.2	42.0	43.5	41.4	43.5	46.2	35.8
16.45	43.8	45.4	232.7	41.5	41.5	42.1	45.4	41.6	44.2	42.0	43.2	41.3	43.2	45.5	35.9
16.50	43.4	45.0	214.0	41.8	41.4	42.0	45.0	41.3	44.2	42.0	43.1	41.2	43.1	45.2	36.9
16.55	42.9	44.4	192.4	41.6	41.4	41.9	44.5	41.5	43.6	41.9	42.8	41.1	42.9	44.5	36.9
17.00	42.5	44.0	175.9	41.3	41.4	41.8	44.1	41.5	43.7	42.0	42.7	41.1	42.7	43.9	35.4

ตารางที่ ข.18 ข้อมูลความเข้มแสงอาทิตย์, อุณหภูมิแวดล้อม, อุณหภูมิของ CPAC Monier, Air Gap และ Gypsum Board วันที่ 7/05/2545

Time	TLM	TUM	It	TR	TUC	TLG	TLM-RSC	TR-RSC	Tout	TUC-RSC	TA	Tin	TUG-RSC	TUM-RSC	Tamb
8.00	43.5	43.2	625.8	34.4	33.1	33.6	40.6	33.4	34.3	32.4	34.1	32.5	34.1	41.7	30.8
8.05	44.4	44.5	659.0	34.8	33.5	34.0	41.5	33.9	34.8	32.8	34.7	32.9	34.7	42.9	32.5
8.10	45.3	45.4	676.4	35.4	33.9	34.6	42.7	34.3	35.6	33.4	35.4	33.5	35.3	44.0	32.2
8.15	45.7	45.9	690.8	35.8	34.3	35.0	43.5	34.8	36.4	33.9	36.1	34.0	35.9	44.8	32.0
8.20	46.5	46.8	701.7	36.4	34.7	35.5	44.5	35.3	37.1	34.3	36.5	34.3	36.5	45.8	31.6
8.25	46.9	47.5	713.6	36.7	35.0	35.9	45.3	35.7	37.6	34.8	37.0	34.7	37.0	46.6	31.4
8.30	47.9	48.4	728.1	37.2	35.5	36.4	46.3	36.2	38.2	35.2	37.6	35.2	37.6	47.5	31.7
8.35	48.5	48.9	743.5	37.5	36.0	36.8	47.0	36.5	38.5	35.6	38.1	35.5	38.1	48.0	31.8
8.40	48.8	49.3	753.0	37.9	36.2	37.2	47.5	36.8	39.0	35.8	38.4	35.8	38.5	48.7	32.3
8.45	49.4	50.3	789.2	38.1	36.5	37.6	48.3	37.1	39.5	36.1	38.8	36.0	38.9	49.6	32.5
8.50	50.2	51.1	799.4	38.5	36.9	38.0	49.0	37.3	39.7	36.4	39.3	36.3	39.3	50.3	34.0
8.55	51.0	51.8	814.0	39.1	37.2	38.4	49.8	37.6	40.5	36.8	39.9	36.7	39.8	50.9	32.3
9.00	51.5	52.5	842.2	39.3	37.5	38.7	50.5	38.0	41.0	37.0	40.3	37.0	40.2	51.8	33.3
9.05	52.2	53.3	854.9	39.7	37.9	39.1	51.3	38.2	41.4	37.3	40.7	37.2	40.7	52.6	32.6
9.10	53.2	54.4	856.1	39.9	38.3	39.5	52.0	38.4	41.7	37.5	41.1	37.3	41.1	53.4	33.3
9.15	54.1	55.2	864.9	40.6	38.8	39.9	52.7	38.8	42.3	37.9	41.6	37.8	41.6	54.1	33.2
9.20	54.6	55.4	874.2	40.9	39.1	40.3	53.4	39.0	42.8	38.2	42.2	38.0	42.0	54.5	32.5
9.25	55.0	56.0	891.6	41.5	39.3	40.6	53.7	39.3	43.4	38.2	42.5	38.3	42.4	55.0	33.1
9.30	55.3	56.0	902.0	41.7	39.6	40.9	54.2	39.4	43.4	38.4	42.9	38.5	42.8	55.0	32.9
9.35	55.8	57.1	890.3	41.9	39.9	41.2	54.8	39.6	43.7	38.5	43.2	38.6	43.1	56.1	33.6
9.40	56.4	57.5	929.4	42.0	40.1	41.4	55.4	39.7	44.2	38.7	43.6	38.7	43.4	56.6	34.0
9.45	57.2	58.4	949.6	43.2	40.6	41.8	56.1	40.0	44.9	39.0	44.2	39.4	43.8	57.3	33.3
9.50	57.6	59.0	964.1	43.0	40.8	42.1	56.6	40.2	45.1	39.2	44.5	39.4	44.2	58.0	34.2
9.55	58.3	59.7	964.2	43.2	41.1	42.4	57.3	40.4	45.4	39.4	45.0	39.6	44.6	58.7	34.3
10.00	59.1	59.9	978.8	43.5	41.5	42.8	57.8	40.6	45.8	39.6	45.3	39.8	45.0	59.0	33.2
10.05	59.3	60.4	989.5	44.7	41.8	43.1	58.3	40.8	46.5	39.7	46.1	40.4	45.4	59.5	33.8
10.10	59.6	61.0	999.3	43.9	41.8	43.4	58.4	40.9	46.4	39.8	45.8	40.2	45.7	59.7	34.2
10.15	60.0	60.7	1,002.2	44.5	42.1	43.6	58.8	41.1	46.5	39.9	46.1	40.4	46.0	59.6	33.0
10.20	60.2	61.6	1,003.3	45.1	42.4	43.9	59.4	41.1	47.7	40.2	46.9	40.8	46.3	60.6	34.3

ตารางที่ ข 19 ข้อมูลความเข้มแสงอาทิตย์อุณหภูมิต่อลม, อุณหภูมิของ CPAC Monier, Air Gap และ Gypsum Board วันที่ 7/05/2545(ต่อ)

Time	TLM	TUM	It	TR	TUC	TLG	TLM-RSC	TR-RSC	Tout	TUC-RSC	TA	Tin	TUG-RSC	TUM-RSC	Tamb
10.25	60.5	61.7	1,027.4	45.2	42.5	44.1	59.7	41.4	47.5	40.3	46.9	40.9	46.6	60.9	34.4
10.30	61.0	62.1	1,026.0	45.2	42.6	44.4	60.0	41.4	47.7	40.3	47.4	40.9	46.8	61.0	34.5
10.35	61.3	63.0	1,025.5	45.4	42.9	44.5	60.5	41.4	48.2	40.5	47.8	41.0	47.1	62.0	34.2
10.40	61.1	62.7	1,028.1	46.1	43.2	44.8	60.6	41.7	48.7	40.7	48.3	42.0	47.4	61.9	34.5
10.45	61.1	62.8	1,031.5	45.9	43.1	45.0	60.6	41.6	48.5	40.7	48.2	41.3	47.7	61.9	36.1
10.50	61.6	63.4	1,037.9	46.1	43.3	45.3	61.2	41.7	48.9	40.9	48.5	41.5	47.9	62.7	34.4
10.55	61.8	63.5	1,056.4	46.6	43.5	45.5	61.4	42.0	49.2	41.2	48.8	41.9	48.2	62.6	35.1
11.00	62.4	64.5	1,099.6	46.5	43.7	45.7	62.0	42.1	49.6	41.3	49.1	41.9	48.4	63.9	34.0
11.05	62.9	64.7	1,059.0	46.9	44.0	46.0	62.3	42.5	49.8	41.5	49.3	42.5	48.7	63.9	33.6
11.10	63.0	64.7	1,059.2	47.5	44.2	46.2	62.5	42.5	50.1	41.6	49.9	42.5	49.0	63.7	34.6
11.15	63.1	64.9	1,059.6	47.6	44.4	46.5	62.7	42.6	50.4	41.8	49.9	42.9	49.3	64.2	34.7
11.20	63.6	65.6	1,076.8	47.6	44.6	46.7	63.2	42.8	50.6	41.9	50.6	43.0	49.5	64.5	33.6
11.25	64.2	66.5	1,130.6	47.7	44.9	46.9	63.8	42.9	50.8	42.1	50.6	42.9	49.8	65.8	36.0
11.30	64.7	66.5	1,084.6	48.9	45.4	47.3	64.0	43.3	51.5	42.5	51.3	44.1	50.1	65.4	36.2
11.35	64.0	65.5	956.8	48.5	45.4	47.5	63.7	43.5	51.5	42.6	51.3	44.0	50.4	64.8	34.1
11.40	62.5	63.8	840.2	48.6	45.3	47.6	62.8	43.6	51.4	42.6	51.3	43.6	50.5	63.4	34.4
11.45	62.7	64.7	1,063.0	48.3	45.1	47.7	63.1	43.5	51.5	42.6	51.3	44.0	50.5	64.5	34.4
11.50	62.9	64.9	1,049.3	48.5	45.1	47.8	63.2	43.5	51.8	42.7	51.6	43.8	50.6	64.6	35.9
11.55	62.8	65.1	1,026.2	48.0	45.0	47.8	63.2	43.5	51.7	42.7	51.4	43.5	50.7	64.8	35.4
12.00	62.8	65.0	1,040.1	48.5	45.1	47.9	63.3	43.7	51.7	42.8	51.4	43.7	50.8	64.8	35.7
12.05	61.3	62.6	1,037.8	48.5	45.0	48.0	61.9	43.6	51.7	42.8	51.8	43.9	50.8	62.9	33.8
12.10	61.5	63.5	1,003.3	48.4	45.0	48.0	62.2	43.7	51.8	42.9	51.7	44.1	50.7	63.8	36.4
12.15	61.7	63.7	1,003.7	48.3	45.0	48.0	62.5	43.8	52.0	42.9	51.7	44.2	50.8	63.8	36.0
12.20	61.7	62.7	563.4	48.5	45.3	48.0	62.5	43.8	51.9	43.2	52.1	44.0	50.8	62.7	35.2
12.25	61.0	62.9	976.1	48.8	45.5	48.2	61.8	44.0	52.1	43.4	52.0	44.1	50.9	63.1	35.4
12.30	61.1	63.1	968.2	48.7	45.4	48.2	62.0	44.1	52.3	43.5	52.0	44.8	50.9	63.2	34.2
12.35	61.4	63.7	944.5	48.4	45.6	48.2	62.2	44.1	52.1	43.6	52.0	44.3	50.9	63.6	36.6
12.40	60.9	63.2	920.4	48.3	45.5	48.3	62.0	44.3	52.0	43.6	51.8	44.6	51.0	63.3	35.3
12.45	61.1	63.4	908.6	48.7	45.7	48.4	62.1	44.3	52.4	43.7	52.2	44.8	51.1	63.3	34.7
12.50	61.2	63.5	897.5	48.7	45.7	48.4	62.1	44.3	52.3	43.8	52.1	44.6	51.1	63.4	35.8

ตารางที่ ข 20 ข้อมูลความเข้มแสงอาทิตย์, อุณหภูมิแวดล้อม, อุณหภูมิของ CPAC Monier, Air Gap และ Gypsum Board วันที่ 7/05/2545(ต่อ)

Time	TLM	TUM	It	TR	TUC	TLG	TLM-RSC	TR-RSC	Tout	TUC-RSC	TA	Tin	TUG-RSC	TUM-RSC	Tamb
12.55	61.3	63.0	886.2	49.0	45.8	48.5	62.0	44.3	52.9	43.8	52.3	45.4	51.2	62.9	34.8
13.00	60.9	62.4	876.7	49.3	45.7	48.5	61.7	44.4	52.6	43.9	52.4	45.6	51.2	62.6	34.0
13.05	60.2	62.3	866.7	48.6	45.7	48.5	61.4	44.4	52.5	43.9	52.2	45.0	51.1	62.7	34.4
13.10	59.7	61.7	855.5	49.2	45.7	48.5	61.1	44.6	52.5	44.0	52.1	45.5	51.1	62.1	35.5
13.15	59.7	61.7	855.8	48.9	45.6	48.5	60.9	44.5	52.6	44.1	52.5	45.1	51.1	61.9	36.0
13.20	59.4	61.3	839.4	48.7	45.6	48.5	60.6	44.5	52.5	44.2	52.2	45.3	51.1	61.7	36.2
13.25	59.0	61.0	802.3	48.6	45.5	48.5	60.3	44.5	52.4	44.2	52.1	44.8	51.1	61.3	35.7
13.30	58.9	60.8	802.0	48.6	45.6	48.5	60.1	44.7	52.6	44.3	52.3	45.5	51.0	61.1	35.6
13.35	57.7	58.9	565.1	48.5	45.5	48.5	59.2	44.6	52.2	44.3	52.1	44.8	50.9	59.5	35.6
13.40	57.3	59.3	767.5	48.0	45.3	48.4	58.6	44.5	52.1	44.3	51.8	44.6	50.7	59.8	35.6
13.45	57.4	59.2	749.4	48.4	45.4	48.3	58.8	44.7	52.1	44.4	51.9	45.0	50.6	59.7	35.2
13.50	57.1	59.1	728.5	48.3	45.5	48.3	58.6	44.8	52.0	44.5	52.0	45.1	50.5	59.6	36.1
13.55	56.7	58.9	719.8	48.1	45.5	48.3	58.4	44.9	52.0	44.5	51.7	45.2	50.5	59.4	36.5
14.00	56.6	58.8	699.9	48.2	45.7	48.3	58.3	45.0	52.1	44.7	51.7	45.3	50.5	59.5	34.7
14.05	56.3	58.2	678.1	48.5	45.8	48.4	58.0	45.2	52.2	44.9	51.7	45.6	50.5	58.9	35.7
14.10	55.3	57.2	659.8	47.9	45.4	48.3	57.3	45.1	52.0	44.7	51.3	45.5	50.4	58.1	35.7
14.15	55.1	56.9	648.8	47.9	45.3	48.2	57.0	45.0	51.7	44.8	51.4	45.1	50.3	57.7	36.4
14.20	55.1	57.1	635.8	48.0	45.4	48.2	56.9	44.9	52.0	44.9	51.4	45.3	50.2	57.9	35.4
14.25	54.9	56.8	613.0	48.1	45.5	48.2	56.6	45.2	51.6	45.0	51.3	45.2	50.1	57.4	35.9
14.30	54.7	56.6	605.6	48.3	45.5	48.2	56.4	45.3	51.6	45.1	51.3	45.4	50.1	57.2	35.1
14.35	54.0	56.0	591.3	48.1	45.7	48.2	56.2	45.5	52.0	45.3	51.1	46.0	50.1	56.8	35.5
14.40	53.4	55.0	573.2	48.0	45.4	48.1	55.5	45.3	51.8	45.2	51.0	45.8	49.9	56.0	36.5
14.45	52.4	53.9	549.4	47.6	45.0	47.9	54.7	45.2	51.5	45.0	50.9	45.5	49.7	54.9	35.1
14.50	51.5	52.9	526.5	47.0	44.7	47.7	53.9	45.2	50.8	44.7	50.1	45.5	49.4	54.2	35.2
14.55	50.6	52.3	503.9	46.4	44.2	47.4	53.1	44.9	50.4	44.5	49.7	45.4	49.1	53.5	35.5
15.00	50.0	51.6	479.9	46.2	43.9	47.2	52.5	44.6	50.1	44.3	49.4	44.6	48.7	52.8	36.7
15.05	49.3	50.9	456.3	45.8	43.7	46.9	51.9	44.5	49.8	44.3	49.2	44.6	48.5	52.2	35.7
15.10	48.8	50.4	436.3	45.7	43.6	46.7	51.5	44.4	49.6	44.2	49.1	44.4	48.2	51.7	35.7
15.15	48.2	49.4	420.0	45.8	43.4	46.4	50.9	44.2	49.5	44.1	48.6	44.3	47.9	51.0	34.6
15.20	47.6	48.9	403.2	45.3	43.0	46.2	50.2	44.1	49.1	43.9	48.5	44.0	47.6	50.3	35.1

ตารางที่ ข 21 ข้อมูลความเข้มแสงอาทิตย์, อุณหภูมิแวดล้อม, อุณหภูมิของ CPAC Monier, Air Gap และ Gypsum Board วันที่ 7/05/2545(ต่อ)

Time	TLM	TUM	It	TR	TUC	TLG	TLM-RSC	TR-RSC	Tout	TUC-RSC	TA	Tin	TUG-RSC	TUM-RSC	Tamb
15.25	46.9	48.4	362.5	44.7	42.8	45.9	49.6	43.7	48.7	43.7	48.1	43.8	47.3	49.7	35.8
15.30	46.4	47.9	364.9	44.6	42.7	45.6	49.1	43.7	48.5	43.6	47.7	43.9	46.9	49.3	36.3
15.35	45.9	47.3	341.2	44.5	42.6	45.4	48.6	43.7	48.2	43.6	47.6	43.8	46.7	48.7	35.5
15.40	45.4	46.7	314.9	44.3	42.4	45.2	48.0	43.5	47.9	43.5	47.2	43.5	46.4	48.0	35.3
15.45	45.0	46.3	304.7	44.1	42.4	45.0	47.6	43.5	47.9	43.5	47.0	43.5	46.2	47.6	35.2
15.50	44.4	45.6	284.1	43.9	42.2	44.8	47.0	43.4	47.7	43.5	46.7	43.6	45.9	46.8	34.9
16.00	43.8	45.2	267.5	43.6	41.9	44.6	46.4	43.3	47.2	43.2	46.4	43.3	45.6	46.4	35.2
16.05	43.3	44.6	245.7	43.4	41.8	44.4	46.0	43.1	46.9	43.1	46.1	43.1	45.4	45.8	35.1
16.10	42.5	43.7	229.2	42.8	41.5	44.1	45.3	42.9	46.4	42.9	45.6	42.9	45.1	45.0	35.1
16.15	41.8	43.0	209.7	42.7	41.2	43.8	44.7	42.7	46.4	42.7	45.3	42.7	44.7	44.4	34.9
16.20	41.1	42.4	190.8	42.1	40.7	43.5	44.0	42.4	46.0	42.3	44.9	42.5	44.3	43.6	35.9
16.25	40.4	41.6	175.4	41.8	40.5	43.1	43.4	42.2	45.6	42.2	44.4	42.1	44.0	42.9	36.0
16.30	39.8	41.0	155.3	41.3	40.3	42.8	42.9	42.0	45.0	42.0	43.9	42.0	43.6	42.2	34.6
16.35	39.2	40.4	139.1	41.1	40.1	42.6	42.4	41.7	44.7	41.9	43.7	41.9	43.3	41.7	34.7
16.40	38.5	39.7	126.3	40.6	39.8	42.3	41.8	41.5	44.4	41.6	43.3	41.6	43.0	41.0	34.5
16.45	37.9	39.1	108.8	40.6	39.7	42.0	41.4	41.3	44.3	41.5	43.1	41.4	42.7	40.3	34.6
16.50	37.3	38.0	52.5	40.1	39.3	41.6	40.9	41.0	43.9	41.1	42.7	41.0	42.3	39.6	34.3
16.55	36.6	37.1	70.9	39.4	38.8	41.2	40.4	40.6	43.4	40.8	42.2	40.6	41.9	39.0	33.9
17.00	36.0	36.5	70.4	38.8	38.5	40.9	39.9	40.3	42.8	40.5	41.6	40.3	41.6	38.6	33.9

ตารางที่ ข.22 ข้อมูลความเร็วลมภายในช่อง SO-RSC

Date	26/03/2545				27/03/2545				28/03/2545				6/05/2545			
	V1(m/s)	V2(m/s)	V3(m/s)	Vavg(m/s)	V1(m/s)	V2(m/s)	V3(m/s)	Vavg(m/s)	V1(m/s)	V2(m/s)	V3(m/s)	Vavg(m/s)	V1(m/s)	V2(m/s)	V3(m/s)	Vavg(m/s)
8.00	0	0	0	0	0.00	0	0	0	0	0	0	0.00	0.02	0.02	0.02	0.020
8.15	0	0	0	0	0.00	0	0	0	0	0	0	0.00	0.03	0.02	0.02	0.023
8.30	0	0	0	0	0.00	0	0	0	0	0	0	0.00	0.05	0.03	0.03	0.037
8.45	0	0	0	0	0.00	0	0	0	0	0	0	0.00	0.05	0.05	0.01	0.037
9.00	0.01	0.01	0.03	0.02	0.02	0.02	0.01	0.017	0.01	0.03	0.03	0.02	0.04	0.12	0.04	0.067
9.15	0.03	0.03	0.04	0.04	0.04	0.01	0.01	0.01889	0.03	0.04	0.04	0.04	0.07	0.1	0.12	0.097
9.30	0.03	0.03	0.03	0.05	0.04	0.01	0.01	0.019	0.03	0.03	0.05	0.04	0.09	0.08	0.1	0.090
9.45	0.02	0.02	0.03	0.05	0.03	0.02	0.01	0.021	0.02	0.03	0.03	0.03	0.1	0.06	0.13	0.097
10.00	0.05	0.05	0.03	0.05	0.04	0.05	0.01	0.034	0.05	0.03	0.05	0.04	0.02	0.1	0.11	0.077
10.15	0.03	0.03	0.04	0.05	0.04	0.03	0.02	0.030	0.03	0.04	0.05	0.04	0.01	0.12	0.02	0.050
10.30	0.02	0.02	0.05	0.05	0.04	0.05	0.02	0.037	0.02	0.05	0.05	0.04	0.15	0.1	0.08	0.110
10.45	0.04	0.04	0.04	0.05	0.04	0.03	0.02	0.031	0.04	0.04	0.05	0.04	0.1	0.1	0.08	0.093
11.00	0.03	0.03	0.02	0.06	0.04	0.02	0.02	0.026	0.03	0.02	0.06	0.04	0.09	0.14	0.05	0.093
11.15	0.07	0.07	0.06	0.08	0.07	0.02	0.07	0.053	0.07	0.06	0.08	0.07	0.1	0.06	0.05	0.070
11.30	0.08	0.08	0.07	0.04	0.06	0.04	0.06	0.054	0.08	0.07	0.04	0.06	0.08	0.05	0.06	0.063
11.45	0.07	0.07	0.07	0.05	0.06	0.03	0.08	0.058	0.07	0.07	0.05	0.06	0.1	0.1	0.05	0.083
12.00	0.06	0.06	0.07	0.06	0.06	0.04	0.05	0.051	0.06	0.07	0.06	0.06	0.1	0.1	0.08	0.093
12.15	0.07	0.07	0.06	0.05	0.06	0.02	0.03	0.037	0.07	0.06	0.05	0.06	0.1	0.1	0.12	0.107
12.30	0.06	0.06	0.03	0.03	0.04	0	0.07	0.037	0.06	0.03	0.03	0.04	0.08	0.05	0.05	0.060
12.45	0.05	0.05	0.04	0.04	0.04	0.05	0.05	0.048	0.05	0.04	0.04	0.04	0.08	0.1	0.05	0.077
13.00	0.04	0.04	0.04	0.08	0.05	0.12	0.04	0.071	0.04	0.04	0.08	0.05	0.1	0.1	0.1	0.100
13.15	0.03	0.03	0.04	0.04	0.04	0.02	0.02	0.026	0.03	0.04	0.04	0.04	0.05	0.05	0	0.033

ตารางที่ ข.23 ข้อมูลความเร็วภายในช่อง SO-RSC(ต่อ)

Date	26/03/2545						27/03/2545						28/03/2545						6/05/2545					
	V1(m/s)	V2(m/s)	V3(m/s)	Vavg(m/s)	V1(m/s)	V2(m/s)	V3(m/s)	Vavg(m/s)	V1(m/s)	V2(m/s)	V3(m/s)	Vavg(m/s)	V1(m/s)	V2(m/s)	V3(m/s)	Vavg(m/s)	V1(m/s)	V2(m/s)	V3(m/s)	Vavg(m/s)	V1(m/s)	V2(m/s)	V3(m/s)	Vavg(m/s)
13.30	0.06	0.06	0.07	0.05	0.06	0.01	0.027	0.01	0.06	0.07	0.01	0.027	0.06	0.07	0.05	0.06	0.08	0.1	0.05	0.06	0.08	0.1	0.05	0.077
13.45	0.03	0.03	0.03	0.03	0.03	0.02	0.023	0.02	0.03	0.03	0.02	0.023	0.03	0.03	0.03	0.03	0.1	0.08	0.05	0.03	0.1	0.08	0.05	0.077
14.00	0.04	0.04	0.04	0.03	0.04	0.03	0.029	0.02	0.04	0.04	0.02	0.029	0.04	0.04	0.03	0.04	0.1	0.08	0.1	0.04	0.1	0.08	0.1	0.093
14.15	0.03	0.03	0.04	0.03	0.03	0.02	0.028	0.03	0.03	0.04	0.03	0.028	0.03	0.04	0.03	0.03	0.05	0.05	0.1	0.03	0.05	0.05	0.1	0.067
14.30	0.03	0.03	0.03	0.03	0.03	0.01	0.020	0.02	0.03	0.03	0.02	0.020	0.03	0.03	0.03	0.03	0.04	0.02	0.1	0.03	0.04	0.02	0.1	0.053
14.45	0.02	0.02	0.02	0.02	0.02	0.04	0.027	0.02	0.02	0.02	0.02	0.027	0.02	0.02	0.02	0.02	0.02	0.03	0.05	0.02	0.02	0.03	0.05	0.033
15.00	0.02	0.02	0.05	0.04	0.04	0.04	0.042	0.05	0.02	0.05	0.04	0.042	0.02	0.05	0.04	0.04	0.08	0.04	0.03	0.04	0.08	0.04	0.03	0.050
15.15	0.04	0.04	0.03	0.03	0.03	0.05	0.041	0.04	0.03	0.03	0.04	0.041	0.04	0.03	0.03	0.03	0.05	0.03	0.12	0.03	0.05	0.03	0.12	0.067
15.30	0.04	0.04	0.04	0.04	0.04	0.01	0.027	0.03	0.04	0.04	0.03	0.027	0.04	0.04	0.04	0.04	0.03	0.03	0.01	0.03	0.03	0.03	0.01	0.023
15.45	0.04	0.04	0.04	0.04	0.04	0.02	0.027	0.02	0.04	0.04	0.02	0.027	0.04	0.04	0.04	0.04	0.06	0.04	0.02	0.04	0.06	0.04	0.02	0.040
16.00	0.03	0.03	0.03	0.03	0.03	0.01	0.020	0.02	0.03	0.03	0.02	0.020	0.03	0.03	0.03	0.03	0.03	0.02	0.03	0.03	0.03	0.02	0.03	0.027
16.15	0.02	0.02	0.01	0.02	0.02	0.02	0.022	0.03	0.02	0.01	0.02	0.022	0.02	0.01	0.02	0.02	0.02	0.02	0.02	0.02	0.02	0.02	0.02	0.020
16.30	0.02	0.02	0.01	0.01	0.01	0.03	0.018	0.01	0.02	0.01	0.01	0.018	0.02	0.01	0.01	0.01	0.02	0.03	0.03	0.01	0.02	0.03	0.03	0.027
16.45	0.01	0.01	0.02	0.01	0.01	0	0.008	0.01	0.01	0.02	0.01	0.008	0.01	0.02	0.01	0.01	0.02	0.04	0.02	0.01	0.02	0.04	0.02	0.027
17.00	0	0	0	0	0.00	0.02	0.007	0	0	0	0	0.007	0	0	0	0.00	0.01	0.03	0.01	0.00	0.01	0.03	0.01	0.017



ตารางที่ ข. 25 ข้อมูลค่าพลังงานความร้อน และค่าสัมประสิทธิ์การถ่ายเทความร้อนรวมเฉลี่ยต่อช่วงเวลา วันที่ 27/05/2545

Time	It	TUM	TLM	TLG	TA	Tamb	Tin	Tout	Qr-rsc,avg	Qr-nor,avg	Ursc,avg	Unor,avg
8.00	389.4	307.6	306.9	300.2	301.5	300.3	300.8	301.0	823.5	827.2	27.9	293.8
8.15	462.1	309.8	309.1	301.1	302.6	300.5	301.9	302.1	928.0	933.9	27.4	332.0
8.30	534.3	312.8	312.0	302.2	303.4	302.0	302.8	303.7	997.0	1,014.1	24.7	362.7
8.45	494.9	313.9	313.5	302.9	304.6	301.6	303.1	304.3	855.0	881.0	19.9	462.7
9.00	614.2	315.5	315.2	303.9	304.4	302.1	304.4	305.0	1,124.6	1,138.9	24.7	679.5
9.15	677.3	318.6	318.1	305.0	305.8	303.1	305.6	305.7	1,232.7	1,258.2	23.4	462.7
9.30	754.6	322.0	320.9	306.6	307.6	304.0	305.8	308.3	1,242.4	1,307.0	21.0	318.5
9.45	809.8	323.9	322.9	307.9	308.2	303.6	307.7	309.2	1,315.7	1,352.4	21.2	320.4
10.00	842.1	325.8	324.9	309.2	310.6	302.8	307.2	311.0	1,242.8	1,352.3	19.1	331.4
10.15	881.1	328.2	326.7	310.2	310.7	304.6	307.6	311.6	1,156.8	1,309.7	17.0	291.4
10.30	913.9	329.1	328.0	311.3	311.9	305.5	308.5	313.0	1,293.1	1,460.7	18.9	329.5
10.45	965.0	330.6	328.9	312.2	311.9	306.7	308.4	313.7	1,389.4	1,564.2	19.7	275.2
11.00	1,003.4	331.2	329.9	312.9	312.3	307.2	308.6	312.1	1,411.5	1,563.0	20.0	331.2
11.15	1,038.1	332.0	330.9	313.2	315.9	303.8	309.8	315.2	1,382.3	1,573.7	19.1	378.6
11.30	1,068.1	332.9	331.8	313.6	312.4	303.7	308.8	310.8	1,531.1	1,636.2	20.5	325.8
11.45	1,084.4	334.3	332.8	314.2	315.1	304.2	309.9	315.1	1,477.2	1,629.7	19.2	304.1
12.00	1,096.0	334.8	333.3	315.0	315.4	305.3	310.5	317.0	1,518.1	1,690.3	19.9	301.9
12.15	1,105.2	334.9	333.9	315.4	317.4	305.0	311.0	317.3	1,434.8	1,654.2	18.9	336.5

ตารางที่ ข. 26 ข้อมูลสภาพทีมงานความรื้อน และค่าสัมประสิทธิ์การถ่ายเทความร้อนรวมเฉลี่ยต่อช่วงเวลา วันที่ 27/05/2545(ต่อ)

Time	It	TUM	TLM	TLG	TA	Tamb	Tin	Tout	Qr-rsc.avg	Qr-nor.avg	Ursc.avg	Unor.avg
12.30	1,103.0	335.5	334.0	315.9	316.5	306.2	311.0	315.9	1,500.0	1,687.0	20.1	309.7
12.45	1,106.9	335.0	334.0	316.5	316.8	306.4	311.4	316.0	1,430.9	1,653.5	19.6	320.6
13.00	1,099.5	335.4	334.2	316.9	318.2	306.6	311.9	318.3	1,469.6	1,654.9	20.6	364.5
13.15	1,093.4	335.5	334.2	317.1	317.2	307.5	312.2	316.7	1,460.5	1,629.5	20.6	293.6
13.30	1,065.8	334.8	333.4	317.5	318.6	304.8	312.5	318.0	1,374.3	1,595.7	20.7	327.5
13.45	1,027.7	334.2	333.0	317.3	317.0	307.4	312.2	320.1	1,226.6	1,534.0	18.8	304.4
14.00	1,006.3	333.2	331.8	317.4	318.6	306.3	313.0	318.6	1,299.4	1,522.8	21.4	368.8
14.15	975.4	332.2	331.2	317.4	319.9	306.9	313.5	319.7	1,310.1	1,502.8	23.0	412.5
15.00	842.4	328.6	328.2	317.0	317.0	307.4	313.4	315.8	1,254.0	1,335.7	27.2	508.1
15.30	734.8	327.2	326.4	317.4	319.9	307.8	314.4	319.3	997.0	1,158.6	26.3	405.3
15.45	684.8	325.4	325.0	317.3	318.6	307.4	314.7	318.8	999.2	1,110.9	31.8	1,134.1
16.00	628.5	323.6	323.1	316.9	317.5	307.0	314.3	317.8	876.1	999.1	34.7	569.8
16.15	558.1	321.5	321.2	316.4	317.3	307.1	314.0	316.8	818.5	889.0	40.2	890.5
16.30	501.5	318.7	318.6	315.5	316.3	307.8	313.7	317.1	779.3	878.9	65.6	1,555.0
16.45	436.6	317.4	317.3	314.9	315.6	307.7	313.8	316.7	723.9	815.0	74.1	1,948.5
17.00	370.1	316.5	315.9	314.2	314.8	307.6	313.4	316.1	611.8	675.6	72.4	981.0

ภาคผนวก ก

คุณสมบัติทางความร้อนของวัสดุและอากาศ

ค. 1 สมบัติทางความร้อนของวัสดุที่ใช้เป็นส่วนประกอบของหลังคารับรังสีอาทิตย์

ตารางที่ ข. 1 Thermal properties of material

Material	Thickness (mm)	Density (Kg.m <sup>-3</sup> )	Specific heat (J.kg <sup>-1</sup> .K <sup>-1</sup> )	Thermal conductivity (W.m <sup>-1</sup> .K <sup>-1</sup> )	Thermal emissivity	Thermal absorptivity
Cpac Monier	15	1800	837	0.836	0.93	0.56
Gypsum Board	9	800	840	0.17	0.6	-

ค. 2 คุณสมบัติของอากาศ (The properties of air)

คุณสมบัติของอากาศพิจารณาขึ้นอยู่กับอุณหภูมิ สมการแสดงความสัมพันธ์ระหว่าง คุณสมบัติของอากาศกับอุณหภูมิแวดล้อมที่เปลี่ยนแปลงไป

$$C_p = (0.9957 + 3.7 \times 10^{-5} T_A) \times 10^3$$

$$\nu = (-12.43 + 0.0945 T_A) \times 10^{-6}$$

$$k_f = 0.0029 + 7.76 \times 10^{-5} T_A$$

$$\rho = 2.4405 - 4.18 \times 10^{-3} T_A$$

เมื่อ  $T_A$  เป็นอุณหภูมิในหน่วยของสเคลวิน (K)

ภาคผนวก ง

การคำนวณหาขนาดช่องอากาศที่เหมาะสม และค่าสัมประสิทธิ์การถ่ายเทความร้อนรวม  
เฉลี่ย  $U$ , (Overall heat transfer coefficient)

ง.1 การคำนวณหาขนาดช่องระบายอากาศที่เหมาะสม

สมการในการคำนวณอัตราการไหลโดยความต่างอุณหภูมิ (Flow Caused by Thermal Force)

$$Q = (c_r) A [h(T_i - T_o)/T_i]^{1/2}$$

โดยที่

Q = อัตราการไหล, m<sup>3</sup>/hr

A = พื้นที่ช่องทางเข้าหรือทางออกของอากาศ, m<sup>2</sup>

h = ความสูงครึ่งหนึ่งจากช่องทางเข้าถึงช่องทางออกของอากาศ, m

T<sub>i</sub> = อุณหภูมิทางเข้าช่องอากาศ, K [= t(°C)+273.15]

T<sub>o</sub> = อุณหภูมิทางเข้าช่องอากาศ, K [= t(°C)+273.15]

c<sub>r</sub> = conversion factor (c<sub>r</sub> = 10360)

เพื่อหาขนาดช่องระบายอากาศที่เหมาะสม ได้ทำการเลือกค่าอัตราการไหลจากการทดลอง และ อุณหภูมิทางเข้า- ออกของอากาศที่เวลาเดียวกัน ในวันที่มีอัตราการไหลสูงสุด เลือกวันที่ 6 พฤษภาคม พ.ศ. 2545 เวลา 10.30 น. มีข้อมูลดังนี้

$$Q = 55.4 \text{ m}^3/\text{hr}$$

$$T_i = 308.6 \text{ K}$$

$$T_o = 310.8 \text{ K}$$

$$h = 0.25 \text{ m.}$$

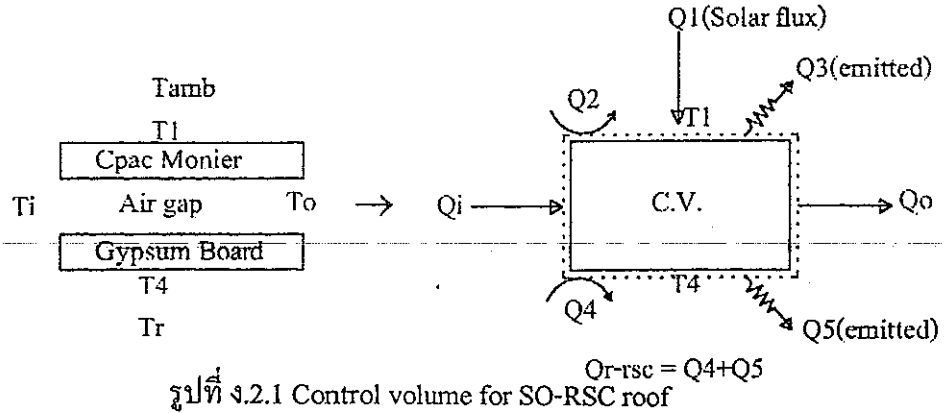
$$A = Q / (c_r [h(T_i - T_o) / T_i]^{1/2})$$

$$\therefore A = 0.12 \text{ m}^2$$

ขนาดของช่องระบายอากาศที่เหมาะสมคือ 0.12 ตารางเมตร

ง.2 การคำนวณค่าพลังงานความร้อนและค่าสัมประสิทธิ์การถ่ายเทความร้อนรวม

1. การคำนวณค่าพลังงานความร้อนและค่าสัมประสิทธิ์การถ่ายเทความร้อนรวมของบ้าน SO-RSC.



รูปที่ ง.2.1 Control volume for SO-RSC roof

$\therefore Q_{\text{ภายในห้องหลังคา}} = Q_4 + Q_5 = Q_r$

Energy balance in Control Volume.

$Q_1 + Q_i = Q_2 + Q_3 + Q_o + Q_4 + Q_5$

$Q_r = Q_i - Q_2 - Q_3 - Q_o + Q_i$

$Q_r = UA\Delta T$

$\Delta T = T_1 - T_2$

$\therefore U = Q_r / A\Delta T$

โดยที่

$Q_1 = \alpha \cdot I_t \cdot A \tag{a}$

$Q_2 = A h_1 [T_1 - T_{amb}] \tag{b}$

$Q_3 = A \epsilon \sigma [T_1^4 - T_{amb}^4] \tag{c}$

$Q_o = mf C_p T_i \tag{d}$

$Q_i = mf C_p T_o \tag{e}$

$mf = \rho \times Gap \times W \times V$

$= \rho \times 0.14V$

$\rho = 2.4405 - 4.148 \times 10^{-3} \times T_A$

$C_p = (0.9957 + 3.7 \times 10^{-5} \times T_A) \times 10^3$

$V = 0.8(9.81 \times 1.2 \sin 25(T_o - T_i) / T_i)$

ค่าคงที่

$\alpha = 0.8 \quad A = 3.85 \text{ m}^2$

$h_1 = 8.55 \quad \epsilon = 0.9$

$\sigma = 5.669 \times 10^{-8} \text{ W/m}^2 \cdot \text{K}^4$

$$\sigma = 5.669 \times 10^{-8} \text{ W/m}^2 \cdot \text{K}^4$$

ตัวอย่างการคำนวณ โดยใช้ข้อมูลวันที่ 27 เมษายน 2545 เวลา 12.00 น.

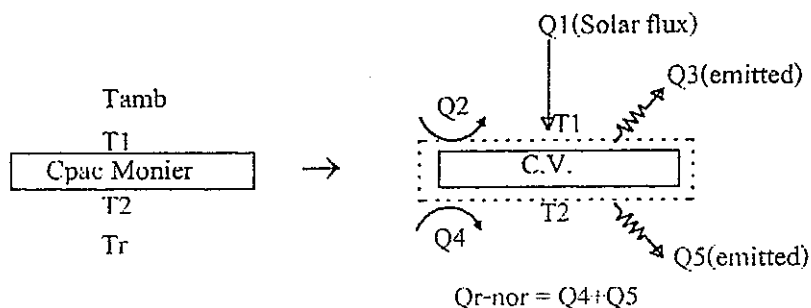
$I_t$	=	1095.98 $\text{w/m}^2$	$T_1$	=	336.75 K
$T_4$	=	314.87 K	$T_{amb}$	=	305.16 K
$T_i$	=	310.36 K	$T_o$	=	316.86 K
$T_A$	=	305.31 K			

จากการคำนวณ โดยแทนค่าในโปรแกรม Excel

$$U_{rsc,avg} = 19.9 \text{ w/m}^2 \cdot \text{K}$$

$$q_{r-sc,avg} = 1518.1 \text{ w/m}^2$$

## 2 .การคำนวณค่าพลังงานความร้อนและค่าสัมประสิทธิ์การถ่ายเทความร้อนรวมของบ้านปกติ



รูปที่ ๓.2.2 Control volume for Normal roof

$$\therefore Q_{ภายในห้องถึงกา} = Q_1 + Q_3 = Q_r$$

Energy balance in Control Volume.

$$Q_1 = Q_2 + Q_3 + Q_4 + Q_5$$

$$Q_r = Q_1 - Q_2 - Q_3$$

$$Q_r = U A \Delta T$$

$$\Delta T = T_1 - T_2$$

$$\therefore U = Q_r / A \Delta T$$



ตัวอย่างการคำนวณ โดยใช้ข้อมูลวันที่ 27 เมษายน 2545 เวลา 12.00 น.

$$I_t = 1095.98 \text{ w/m}^2$$

$$T_1 = 336.75 \text{ K}$$

$$T_2 = 336.75 \text{ K}$$

$$T_{amb} = 305.16 \text{ K}$$

$$T_A = 305.31 \text{ K}$$

---

จากการคำนวณโดยแทนค่าใน โปรแกรม Excel

$$U_{nor,avg.} = 310.9 \text{ w/m}^2 \cdot \text{K}$$

$$Q_{r-nor,avg.} = 1690.3 \text{ w/m}^2$$

ภาคผนวก จ

โปรแกรมแบบจำลองทางคณิตศาสตร์และทฤษฎี Numerical method

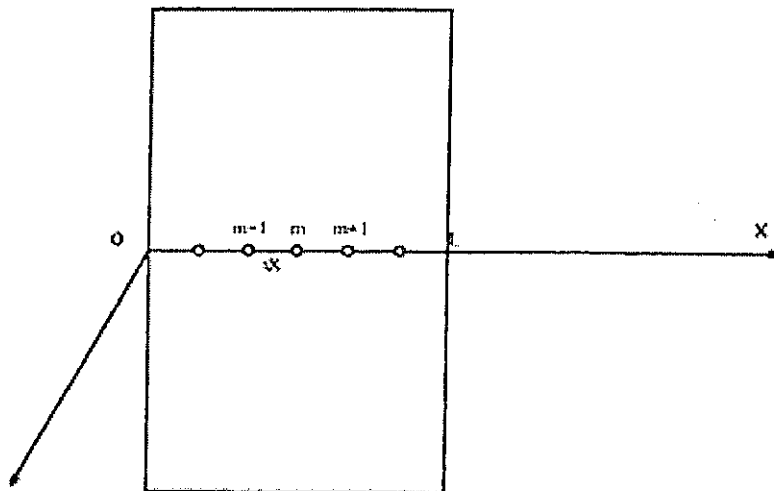
## ทฤษฎี Numerical method

สมการความร้อน (Heat equation) ที่เขียนในรูป Finite-difference

การนำความร้อนภายในวัตถุ 1 มิติ (One dimensional) ที่อยู่ในสถานะไม่สม่ำเสมอ อุณหภูมิที่จุดใด ๆ ภายในเนื้อวัสดุอาจเปลี่ยนแปลงได้ตามเวลาพร้อม ๆ กับตำแหน่ง กล่าวคือ  $T = T(x, t)$  ระบบมิติเดียวที่ไม่มีการกำเนิดพลังงานภายในตัวกลางและสัมประสิทธิ์การนำความร้อนมีค่าเท่ากันตลอด จะมีสมการเป็นดังนี้

$$\frac{\partial T(x, t)}{\partial t} = \alpha \cdot \frac{\partial^2 T}{\partial x^2} \quad (f)$$

ตัวแปรที่เกี่ยวกับมิติ 1 ตัว คือระยะทาง  $x$  และตัวแปรที่เป็นเวลา คือ  $t$  ดังนั้นพื้นที่ ๆ จะวิเคราะห์จะถูกแบ่งออกเป็นส่วนเล็ก ๆ เพื่อการวิเคราะห์ทาง Finite-difference และมีความหนา  $0 < x < L$  ซึ่งจะถูกรวบรวมออกเป็นช่องเล็ก ๆ ส่วนความกว้างยาวนั้นไม่จำกัด และต้องการหาค่าของ  $T$  ที่แต่ละจุดที่เวลา  $t$  ใด ๆ ดังรูป 2.6



รูปที่ 2.6 แสดงการแบ่งจุดต่าง ๆ ในการวิเคราะห์ Finite-difference

จากสมการที่ 2.15 เป็นสมการดิฟเฟอเรนเชียล ซึ่งจะต้องมีเงื่อนไขที่ขอบ (boundary condition) 2 เงื่อนไขในแกน  $x$  บวกกับเงื่อนไขเริ่มต้น (initial condition) ที่เวลา  $t = 0$  อีกหนึ่งเงื่อนไขจึงจะแก้สมการได้

เงื่อนไขเริ่มต้นที่:  $t = 0, T(x, 0) = 0$

เงื่อนไขที่ขอบ:  $x = 0, T(0, t) = T_0$   
 $x = L, T(L, t) = T_1$

สมการอนุพันธ์อันดับ 1 และอันดับ 2 ของอุณหภูมิ  $\frac{\partial^2 T}{\partial x^2}$  ที่จุด  $x_m$  และเวลา  $i$  สามารถเขียนให้อยู่ในรูปของ Finite-difference โดยประมาณได้ดังนี้

$$\left. \frac{\partial T}{\partial x} \right|_{m,i} \cong \frac{T_{m+1} - T_m}{\Delta x} \quad (i)$$

$$\left. \frac{\partial^2 T}{\partial x^2} \right|_{m,i} \cong \frac{T_{m-1}^i - 2T_m^i + T_{m+1}^i}{(\Delta x)^2} \quad (j)$$

เมื่อ  $T_{m-1}^i$  และ  $T_{m+1}^i$  คืออุณหภูมิที่แต่ละข้างของจุดปม  $T_m^i$  ที่เวลา  $i$  และอนุพันธ์เทียบกับเวลาที่ตำแหน่ง  $m$  จะประมาณจาก

$$\left. \frac{\partial T}{\partial x} \right|_{m,i} \cong \frac{T_m^{i+1} - T_m^i}{\Delta t} \quad (k)$$

เมื่อ  $T_m^{i+1}$  คือ ค่าอุณหภูมิที่จุด  $m$  ที่เวลา  $i+1$  แทนค่าสมการที่ (2.21) และ (2.22) ลงไปในสมการที่ (2.20) จะได้เป็น

$$\frac{T_m^{i+1} - T_m^i}{\Delta t} = \alpha \frac{T_{m-1}^i - 2T_m^i + T_{m+1}^i}{(\Delta x)^2} \quad (l)$$

จัดรูปสมการใหม่จะได้ดังนี้

$$T_m^{i+1} = r(T_{m-1}^i + T_{m+1}^i) + (1 - 2r)T_m^i \quad (m)$$

เมื่อ  $i = 0, 1, 2, \dots$

$$\text{และ } r = \frac{\alpha \Delta t}{(\Delta x)^2}$$

จากสมการที่ (2.19) เราเรียกว่า Explicit finite difference form of the one dimensional

สมการนี้จะมีเสถียรภาพ(Stability) เมื่อ  $0 \leq r \leq \frac{1}{2}$

### จ.1 วิธีการใช้โปรแกรมคำนวณอุณหภูมิในช่องหลังคา RSC

เมื่อเข้าสู่โปรแกรมจะพบว่าในโปรแกรมจะมีค่าต่าง ๆ ให้ป้อนเพื่อใช้เป็นค่าเริ่มต้นในการคำนวณดังนี้

1. Clear data

2. Input

- ค่ารังสีอาทิตย์  $I_t$
- อุณหภูมิบรรยากาศ Tamb

3. ป้อนค่าเวลาเป็นนาฬิกาที่ต้องการทราบ ที่ Time loop

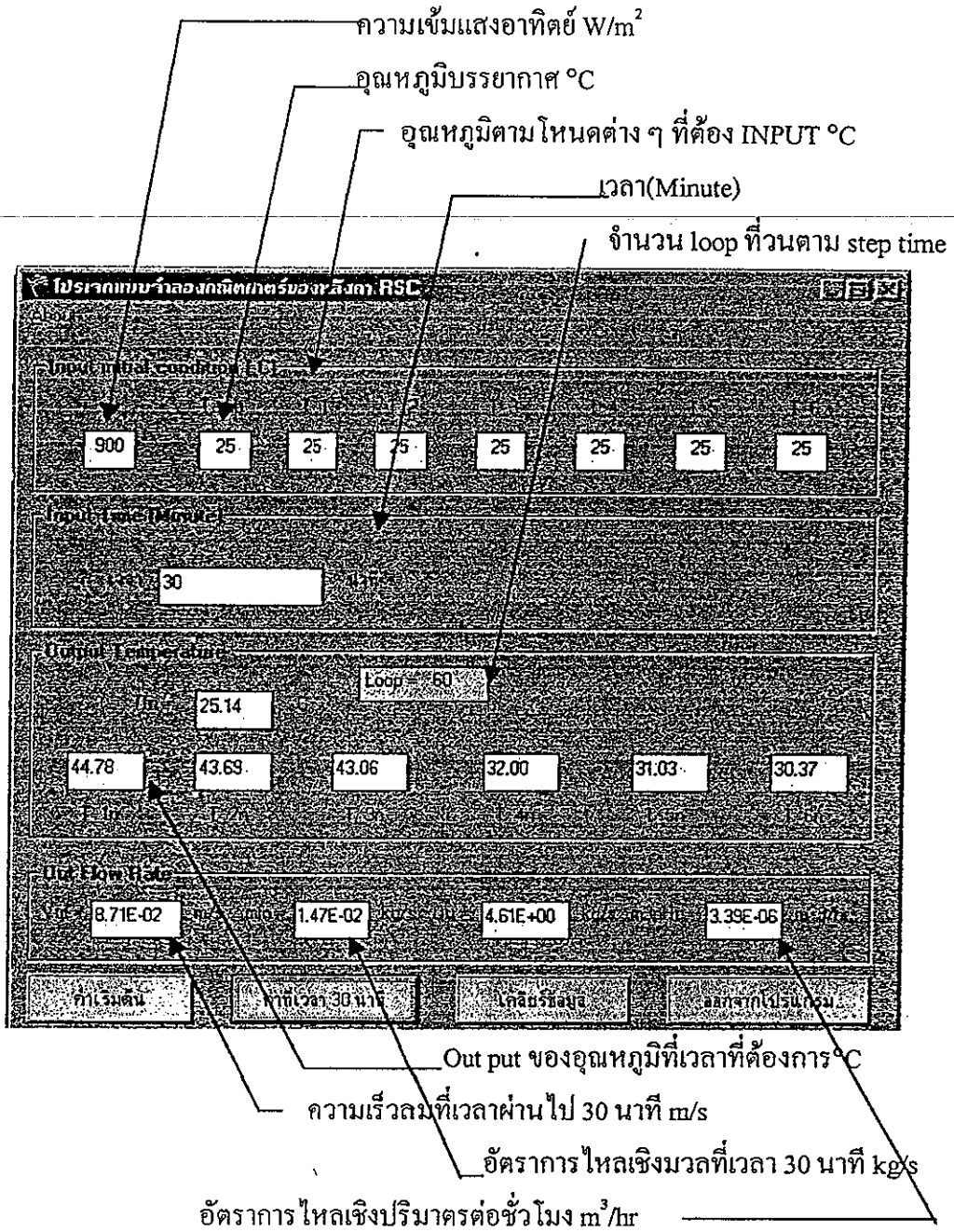
4. กดปุ่มค่าเริ่มต้น โปรแกรมจะนำค่าอุณหภูมิ  $I_t$  และเวลาที่เรา Input เข้าเป็นค่าเริ่มต้นในโปรแกรมพร้อมที่จะคำนวณ

5. กดปุ่มคำนวณค่าที่เวลาที่ต้องการ

6. Output

- Output Temperature
- Output Flow rate

7. Clear ข้อมูล และเริ่ม Input ค่าเริ่มต้นใหม่



รูปที่ จ.1.1 แสดงการใช้แบบจำลองทางคณิตศาสตร์สำหรับหลังคา SO-RSC

Option Explicit

Dim Y As Integer

Dim S As Double

Dim Tamb As Double

Dim Tf As Double

Dim Nue As Double

Dim Cp As Double

Dim Kf As Double

Dim Pr As Double

Dim Ro As Double

Dim hw As Double

Dim hc As Double

Dim hb As Double

Dim Gr As Double

Dim Nu As Double

Dim mf As Double

Dim Tfn As Double

Dim Ron As Double

Dim mfn As Double

Dim Cpn As Double

Dim Qu As Double

Dim Vm As Double

Dim m3pHr As Double

Dim Tout As Double

Const V = 1.5

Const km = 0.836

Const kg = 0.17

Const dm = 0.015

Const dg = 0.009

Const Em = 0.93

Const Eg = 0.6

Const Sb = 0.00000005669

```
Const Gap = 0.14
Const H = 1.5
Const W = 1
Const Angle = 25
Const Dcpac = 1800
Const Dgypsum = 800
Const Cm = 837
Const Cg = 840
Const g = 9.81
Const Cd = 0.7
Const dTime = 30
Const nodem = 2
Const nodeg = 2
Const absorb = 0.56
Const PI = 22 / 7
Const Dfm = 0.000000554
Const Dfg = 0.000000252
Const Asu = 1.5
Const dxm = 0.0075
Const dxg = 0.0045
Const A = 0.21
Const Slope = 0.436
Const Dh = 0.246
Const rm = 0.295
Const rg = 0.3733
Private Sub cmdExit_Click()
End
End Sub
Private Sub cmdinit_Click()
Dim i As Integer
Dim T(6) As Double
Dim T7 As Double
```



```

For i = 0 To 3
Text4(i).Text = "0.000"
Next i
For i = 2 To 7
Text1(i) = Val(Text1(1).Text)
Next i
Y = 0
If Text1(0).Text = "" Or Text1(1).Text = "" Or Text1(2).Text = "" Or Text1(3).Text = "" Or
Text1(4).Text = "" Or Text1(5).Text = "" Or Text1(6).Text = "" Or Text1(7).Text = "" Then
MsgBox "กรอกข้อมูลให้ครบด้วยครับในส่วน Input Condition", vbOKOnly, "แจ้งให้ทราบ"
Text1(0).SetFocus
ElseIf Text5.Text = "" Then
MsgBox "กรอกข้อมูลให้ครบด้วยครับในส่วน Input Time", vbOKOnly, "แจ้งให้ทราบ"
Text5.SetFocus
Else
For i = 0 To 5
T(i) = Val(Text1(i + 2).Text) + 273
Next i
T7 = Val(Text1(7).Text) + 273
S = Val(Text1(0).Text) * absorb
Tamb = Val(Text1(1).Text) + 273
Tf = Tamb + 0.1
Nue = ((-12.43) + (0.0945 * Tf)) / 1000000
Kf = (0.0029 + (7.76 * Tf) / 100000)
Pr = (0.784 - (2.5 * Tf) / 10000)
hw = 3 + (7.4 * V ^ (0.5))
Gr = (g * (1 / Tf) * (Val(Text1(4).Text) - Val(Text1(5).Text)) * H ^ 3) / Nue ^ 2
Nu = 1 + (0.071 * ((Gr * Pr) ^ (1 / 3)) * ((H / Dh) ^ (-1 / 9)) - 1) * Sin(Slope)
hc = (Nu * Kf) / Dh
hb = 1.42 * (Sin(Slope) * (T7 - Tamb) / H) ^ 0.25
Cp = (0.9957 + 3.7 * (Tf / 10000)) * 1000
mf = Cd * Gap * W * (2 * g * H * Sin(Slope) * ((Tf - Tamb) / Tamb)) ^ 0.5

```

```
Ro = (2.4405 - ((4.148 * Tf) / 1000))
```

```
cmdLoop.Enabled = True
```

```
cmdLoop.Caption = "ค่าที่เวลา" & " " & Text5.Text & " " & "นาที"
```

```
End If
```

```
End Sub
```

```
Private Sub cmdLoop_Click()
```

```
Dim i As Integer
```

```
Dim k As Integer
```

```
Dim T1 As Double
```

```
Dim T2 As Double
```

```
Dim T3 As Double
```

```
Dim T4 As Double
```

```
Dim T5 As Double
```

```
Dim T6 As Double
```

```
Dim T11 As Double
```

```
Dim T22 As Double
```

```
Dim T33 As Double
```

```
Dim T44 As Double
```

```
Dim T55 As Double
```

```
Dim T66 As Double
```

```
Dim time As Integer
```

```
time = (Val(Text5.Text) * 2)
```

```
For i = 1 To time
```

```
If Y = 0 Then
```

```
T1 = Val(Text1(1).Text) + 273
```

```
T2 = Val(Text1(2).Text) + 273
```

```
T3 = Val(Text1(3).Text) + 273
```

```
T4 = Val(Text1(4).Text) + 273
```

```
T5 = Val(Text1(5).Text) + 273
```

```
T6 = Val(Text1(6).Text) + 273
```

```
Else
```

$$T1 = T11$$

$$T2 = T22$$

$$T3 = T33$$

$$T4 = T44$$

$$T5 = T55$$

$$T6 = T66$$

End If

'CPAC MONIER

$$T11 = 2 * rm * (dxm / km) * (S + hw * (Tamb - T1) + Em * Sb * ((Tamb ^ 4) - (T1 ^ 4))) + (km / dxm) * (T2 - T1) + T1$$

$$T22 = rm * (T1 + T3) + (1 - (2 * rm)) * T2$$

$$T33 = 2 * rm * (dxm / km) * (hc * (Tf - T3) + (Sb / ((1 / Em) + (1 / Eg) - 1)) * (T4 ^ 4 - T3 ^ 4)) + (km / dxm) * (T2 - T3) + T3$$

'Gypsum Board

$$T44 = 2 * rg * (dxg / kg) * (hc * (Tf - T4) + (Sb / ((1 / Em) + (1 / Eg) - 1)) * (T3 ^ 4 - T4 ^ 4)) + (kg / dxg) * (T5 - T4) + T4$$

$$T55 = rg * (T4 + T6) + (1 - (2 * rg)) * T5$$

$$T66 = 2 * rg * (dxg / kg) * (hb * (Tamb - T6) + (Eg * Sb) * (Tamb ^ 4 - T6 ^ 4)) + (kg / dxg) * (T5 - T6) + T6$$

'Gap

$$Tfn = (hc * (T33 + T44) + (2 * (mf / Asu)) * Cp * Tamb) / (2 * hc + 2 * (mf / Asu) * Cp)$$

$$Tout = (2 * Tfn) - Tamb$$

$$Cpn = (0.9957 + (3.7 * Tfn) / 10000) * 1000$$

$$Ron = (2.4405 - (4.148 * Tfn) / 1000)$$

If Tout > Tamb Then

$$mfn = Cd * Gap * W * Ro * (2 * g * H * Sin(Slope) * ((Tout - Tamb) / Tamb)) ^ 0.5$$

$$Qu = (mfn * Cpn * (Tout - Tamb))$$

$$Vm = mfn / (Ro * Gap * W)$$

$$m3pHr = mfn * 3600 / (Ron)$$

Else: mfn = 0

End If

$$Y = Y + 1$$

```

Next i
Text2.Text = Format(Tfn - 273, "0.00")
Text4(0).Text = Format(Vm, "0.000")
Text4(1) = Format(mfn, "0.000")
Text4(2).Text = Format(Qu, "00.00")
Text4(3).Text = Format(m3pHr, "000.00")

Text3(0).Text = Format(T11 - 273, "0.00")
Text3(1).Text = Format(T22 - 273, "0.00")
Text3(2).Text = Format(T33 - 273, "0.00")
Text3(3).Text = Format(T44 - 273, "0.00")
Text3(4).Text = Format(T55 - 273, "0.00")
Text3(5).Text = Format(T66 - 273, "0.00")
Label24.Caption = " Loop = " & (i - 1)
End Sub

Private Sub cmdClear_Click()
Dim i As Integer
For i = 0 To 7
Text1(i).Text = ""
Next i
For i = 0 To 5
Text3(i).Text = ""
Next i
For i = 0 To 3
Text4(i).Text = ""
Next i
Text5.Text = " 60 "
Text2.Text = " "
cmdLoop.Enabled = False
End Sub

Private Sub Form_Load()
Dim i As Integer
cmdLoop.Caption = "ค่าที่เวลา 0.00 นาที"

```

```
For i = 0 To 3
Text4(i).Text = "0.000"
Next i
cmdLoop.Enabled = False
End Sub
Private Sub Label28_Click()
End Sub
Private Sub Label27_Click()
End Sub
Private Sub Name_Click()
Form2.Show
End Sub
Private Sub Text5_Click()
Text5.SelLength = (Len(Text5.Text))
End Sub
```